

# PRIMUS

## MOJA USER MANUAL

[WWW.PRIMUSEQUIPMENT.COM](http://WWW.PRIMUSEQUIPMENT.COM)

for more information, inspiration or guidance

Design and Quality Primus AB  
Primus AB, Mariehällsvägen 37A  
SE - 168 65 Bromma, Sweden  
Tel: +46 8 564 842 30

English/Deutsch/Français/Svenska/Suomi/Norsk/Dansk/Nederlands/Español/  
Italiano/Hrvatski/Český/Slovak/Magyar/Polski/Slovenski/РУССКИЙ

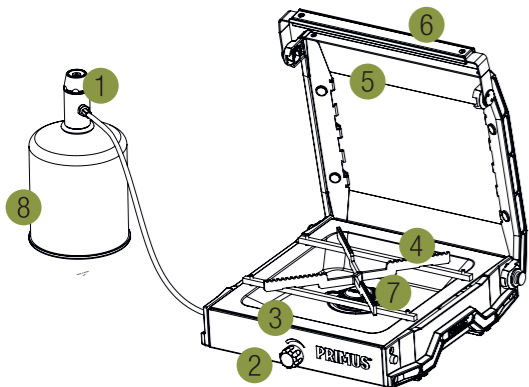
55084/3



**FREEDOM TO EXPLORE.**

## PRODUCT OVERVIEW

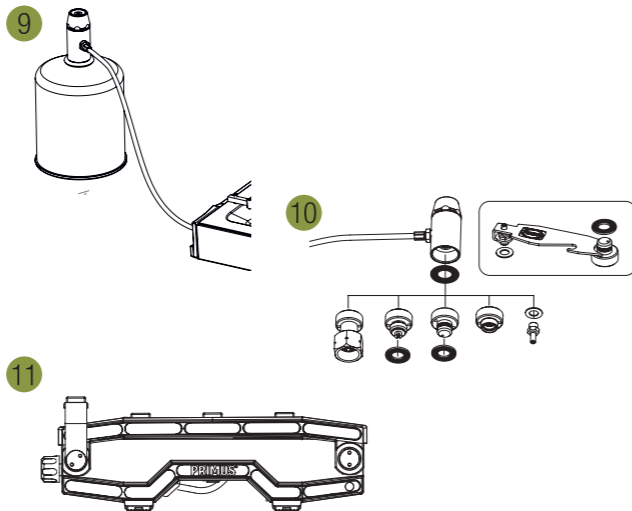
PRODUKTÜBERSICHT/PRÉSENTATION DU PRODUIT/PRODUKTÖVERSIKT/TUOTETIEDOT/  
PRODUKTÖVERSIKT/PRODUKTÖVERSIKT/RESUMEN DEL PRODUCTO/PRODUCTOVERZICHT/  
PANORAMICA DEL PRODOTTO/ PREGLED PROIZVODA / PŘEHLED PRODUKTU/PREHLAD  
PRODUKTOVA/A TERMÉK ISMERTETÉSE/PRZEGLĄD PRODUKTÓW/ PRIKAZ IZDELKA/  
ОБЗОР ПРОДУКТА



Number explanation in folder / Anzahl Erläuterung der Broschüre / Nombre Explication à la brochure / Nummerförklaring i häftet / Numero selitykset kirjanen / Nummerförklaring i heftet / Nummerförklaring i folderen / Nummer toelichting binnen in de folder / Número Explicación del folleto / Spiegazione dei numeri nella cartella / Objašnjenje broja u mapi / Vysvětlení číslování ve složce / Vysvetlivky čísel v záložke / A katalógusban szereplő számok magyarázata / Objaśnienie numeracji w folderze / Oštevilčeni deli izdelka so pojasnjeni v navodilih / Разъяснение номеров в буклете /

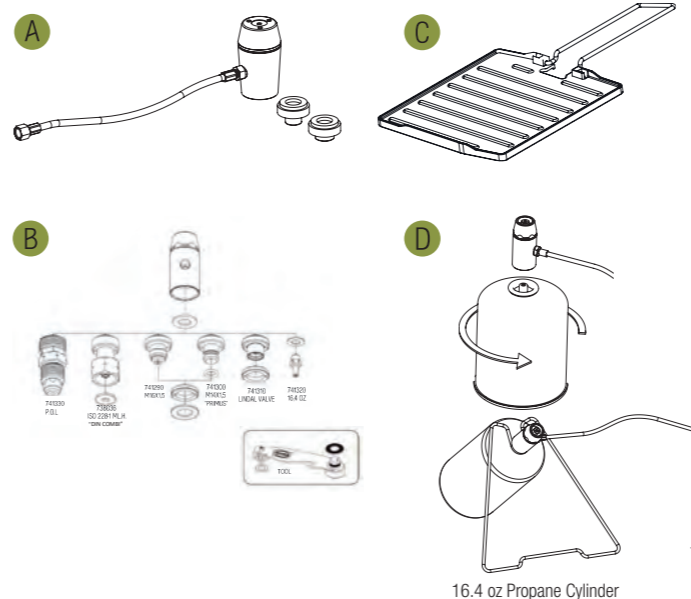
## PRODUCT DETAILS

PRODUKTINFORMATIONEN/INFORMATIONS DÉTAILLÉES SUR LE  
PRODUIT/PRODUKTDETALJER/TUOTEKUVAUS/PRODUKTINFORMASJON/  
PRODUCTINFORMATIE/DETALLES DEL PRODUCTO/DETTAGLI DEL  
PRODOTTO/ POJEDINOSTI PROIZVODA/POPIS PRODUKTU/DETAILY  
PRODUKTOV/A TERMÉK RÉSZEI/SZCZEGÓŁY PRODUKTU/ PODATKI O IZDELKU/  
ИНФОРМАЦИЯ О ПРОДУКТЕ



## ACCESSORIES & SPARE PARTS

ZUBEHÖR & ERSATZTEILE/ACCESSOIRES & PIÈCES DÉTACHÉES/TILLBEHÖR & RESERVEDELAR/LISÄVARUSTEET  
& VARAOSAT/TILBEHÖR & RESERVEDELER/TILBEHÖR & RESERVEDELER/ACCESORIOS & PIEZAS DE REPUESTO/  
TOEBEHÖREN & RESERVEONDERDELEN/ACCESSORI & RICAMBI/ PRIBOR I REZERVNI DIJELOV/PŘÍSLUŠENSTVÍ  
A NÁHRADNÍ DÍLY/PŘÍSLUŠENSTVO A NÁHRADNÉ DIELY/TARTOZÉKOK ÉS CSEREALKATRÉSZEK/AKCESORIA I  
CZĘŚCI ZAMIENNE/ DODATKI IIN REZERVNI DELI/ВСПОМОГАТЕЛЬНЫЕ ПРИНАДЛЕЖНОСТИ &  
ЗАПАСНЫЕ ЧАСТИ



**ENGLISH**

**DEUTSCH**

**FRANÇAIS**

**SVENSKA**

**SUOMI**

**NORSK**

**DANSK**

**NEDERLANDS**

**ESPAÑOL**

**ITALIANO**

**HRVATSKI**

**ČESKÝ**

**SLOVÁK**

**MAGYAR**

**POLSKI**

**SLOVENSKI**

**РУССКИЙ**

# PRIMUS

Design and Quality Primus AB  
Primus AB, Mariehällsvägen 37A  
SE - 168 65 Bromma, Sweden  
+46 8 564 842 30

www.primusequipment.com

CE -2531

ID: 2531DM-0096



## FOR YOUR SAFETY

### IF YOU SMELL GAS

1. Do not attempt to light appliance.
2. Extinguish any open flame.
3. Disconnect from fuel supply.

## FOR YOUR SAFETY

Do not store or use gasoline or other liquids with flammable vapours in the vicinity of this or any other appliance.

## WARNING

### FIRE OR EXPLOSION HAZARD

#### IF YOU SMELL GAS

1. Do not attempt to light appliance.
2. Make sure appliance is in the off position.
3. Extinguish any nearby flame(s).
4. Shut of cylinder fuel supply valve if so equipped, or if equipped with a disposable fuel cylinder, disconnect cylinder.
5. Leave the area immediately.
6. Allow gas to dissipate 5 minutes.
7. If gas smell has dissipated from the area, of the appliance, and fuel supply, follow gas connection procedures.
8. If you smell gas again, follow steps 1-6 and have appliance serviced.

Failure to follow these instructions could result in fire or explosion, which could cause property damage, personal injury, or death.

**DANGER****CARBON  
MONOXIDE  
HAZARD**

This appliance can produce carbon monoxide which is poisonous and has no odour.

Using it in an enclosed space can kill you.

Never use this appliance in an enclosed space such as a camper, tent, car or home.



Keep stove area clear and free from combustible materials, gasoline and other flammable vapors and liquids.



See too that no obstruction of combustion or ventilation occur.



See too that the flame on the appliance is steady. The flame shall always leave the stove straight upwards.

NOTE! Wind may press the flame down under the burner, if that happens stop the stove immediately and move it to a wind protected area.



When the stove is in storage, the gas canister has to be disconnected.



Improper installation, use, adjustment, alteration, service, or maintenance can cause injury or property damage. Refer to this manual. For assistance or additional information consult a qualified installer, service agency or gas supplier.

# PRIMUS

Design and Quality Primus AB  
Primus AB, Mariehällsvägen 37A  
SE - 168 65 Bromma, Sweden  
+46 8 564 842 30

[www.primusequipment.com](http://www.primusequipment.com)

CE -2531

ID: 2531DM-0096



## POUR VOTRE SÉCURITÉ

QUE FAIRE SI VOUS SENTEZ DU GAZ :

1. Ne pas tenter d'allumer l'appareil.
2. Éteindre toute flamme.
3. Couper l'alimentation en gaz à la source.

## POUR VOTRE SÉCURITÉ

Ne pas entreposer ni utiliser d'essence, ni d'autres liquides dont les vapeurs sont inflammables, à proximité du présent appareil ou de tout autre appareil.

## ▲ WARNING

### RISQUE D'INCENDIE OU D'EXPLOSION

EN PRÉSENCE D'UNE ODEUR DE GAZ :

1. Ne pas tenter d'allumer l'appareil ;
2. Éteindre toute flamme nue ;
3. Couper l'alimentation en gaz à la source ;
4. Permettre au gaz de se dissiper pendant 5 minutes avant d'allumer à nouveau l'appareil.

Le non-respect de ces instructions peut causer un incendie ou une explosion, qui pourrait entraîner des dommages matériels, des blessures ou la mort.

**DANGER****OXYDE DE CARBONE**

Le présent appareil peut produire de l'oxyde de carbone, un gaz inodore.

L'utilisation de l'appareil dans un espace clos peut entraîner la mort.

Ne jamais utiliser l'appareil dans un espace clos comme un véhicule de camping, une tente, une automobile ou une maison.



Écarter de la zone du réchaud tout matériel combustible, essence et autres vapeurs et liquides inflammables.



Veiller à ce qu'il n'y ait pas d'obstruction à la combustion ni à la ventilation.



Veiller à ce que la flamme de l'appareil soit stable.

La flamme devrait toujours jaillir verticalement du réchaud.

Attention! Le vent peut rabattre la flamme sous le brûleur. Si cela se produit, arrêter le réchaud immédiatement et le déplacer dans un endroit à l'abri du vent.



Lors de l'entreposage du réchaud, la cartouche de gaz doit en être séparée.



Improper installation, use, adjustment, alteration, service, or maintenance can cause injury or property damage. Refer to this manual. For assistance or additional information consult a qualified installer, service agency or gas supplier.

# FREEDOM TO EXPLORE.

Ever since the establishment of Primus in 1892, our Swedish engineers have been internationally recognised for designing stoves for explorers and adventurers. It is our genuine passion for adventure and technical solutions that has been the reason for the success of Primus innovations for 130 years. It is a passion and a calling that we are still on fire about.

No matter what level of adventure you want to embark on, we want to equip you with a functional and reliable stove that will be your valued companion for life. That is why we test every stove, individually, by hand before it leaves our high-tech factory in Europe. In this way, we can maintain the high level of quality and functionality that we demand from our products. So, read this manual carefully and make sure your cooking is as safe, fun and tasty as it should be.

Enjoy your food - enjoy life in the outdoors!



# A FEW WORDS ABOUT SAFETY.

Because you're dealing with highly flammable substances, we'd like to bring a few important points to your attention before you begin.

- ▶ Important: Read these instructions for use carefully so as to familiarize yourself with the appliance before connecting it to its gas container. Keep these instructions for future reference.
- ▶ Use only in a well ventilated area.
- ▶ Check the seals and connections every time you use the stove. (see the section, "Before ignition"). Do not use the appliance if it has damaged or worn seals.
- ▶ Change the gas container outside and away from people. Checking the gas flows through the regulator and burners must be done outdoors and away from any naked flame.
- ▶ Ensure that the stove is not used in the proximity of any combustible material, gas or fluids. When being used, the distance from any roof must be at least 1250 mm and 500 mm from any wall.
- ▶ Never leave a lit stove unattended and always ensure that inflammable material is kept away from the stove when it is in use.
- ▶ Do not modify the appliance. Carefully follow the instructions for fitting spare parts that may be ordered in, if you are going to replace them yourself.
- ▶ Do not leave this appliance unattended while the appliance is in operation; keep children and pets away from the appliance at all times.
- ▶ When the stove is going to be stored away, ensure that all its components are clean and dry. The gas cartridge should never be attached to the stove when in storage. Safe storage and operating temperature is maximum 50°C (122°F).
- ▶ Save this instruction book so that you can return to it when you need it.

# IMAGE EXPLANATION

---

## PRODUCT OVERVIEW & PRODUCT DETAILS

(SEE ILLUSTRATIONS ON THE FLAP TO THE LEFT)

- 1 Regulator
- 2 Gas supply knob
- 3 Drip plate
- 4 Pot supports
- 5 Lid
- 6 Handle
- 7 Burner
- 8 Gas cartridge
- 9 Threads on gas cartridge
- 10 Gas coupling – detailed view
- 11 The angle of handle in open position

---

## ACCESSORIES & SPARE PARTS

(SEE ILLUSTRATIONS ON THE FLAP TO THE LEFT)

- A Hose & regulator, part no. 738026
- B Adapters
- C Grill Pan, part no. 738018
- D Gas Cartridge  
100 g, part no. 220610, 220620, 220630.  
230 g, part no. 220710, 220720, 220730.  
450 g, part no. 220210, 220220.

Seasonal gas variants - summer and winter - are also available as accessories.

# GAS UTILISATION MOJA 350170

This stove is intended for use with Primus gas Propane/Isobutane/Butane in cartridges with designation 2202xx, 2206xx, 2207xx. (Red Power Gas, green Summer Gas or brown Winter Gas). Alternatively, an LPG cylinder that fits adapters sold separately as an accessory.

- Gas consumption is (3,0 kW) 214 g/h for propane for model 35017x, 11500 BTU/h.
- The diameter of the bore in the nozzle of the stove's burner is 0.37 mm.

## CHECKING THE STOVE. **IMPORTANT:**

If there is a leak on your appliance (smell of gas), take it outside immediately into a well ventilated flame free location where the leak may be detected and stopped. If you wish to check for leaks on your appliance, do it outside. Do not try to detect leaks using a flame, use soapy water. Contact Primus or your local dealership for replacement parts. You will find contact information on the back page of this instruction booklet.

1. Smell or listen for gas leaks from the gas cartridge. **8** If you are not certain, you can check by putting some soapy water on the connection to the gas cartridge. If you see any bubbles, there is a gas leak - DO NOT LIGHT the stove!
2. The gas control knobs **2** on the stove must be closed (turn clockwise to close) before connecting the gas cartridge.

3. Check the seals before connecting a new gas container to the appliance. **1** Do not use the appliance if it has damaged or worn seals.
4. The threads on both the gas cartridge and the regulator **9** must be intact if they are damaged in any way or awry, replace the gas cartridge; or if the regulator is damaged, DO NOT USE the stove. Order a new hose and regulator - see Accessories on the side flap.
5. Inspect the hose (so that it is neither kinked nor squashed. Avoid twisting the flexible hose). Lift the pan support **4** and drip tray **3** to ensure that the hose and connector are properly adjusted. Maximum hose length to be used: 2000 mm.
6. Check that the cartridge is empty before changing it (shake to hear the noise made by the liquid).

**PREPARE THE STOVE. IMPORTANT:** Take care to ensure that the stove is standing on a stable, flat surface with no combustible material nearby. Check its stability! If you tip the stove while there are pots on it, you risk being scalded by hot liquids.

1. Stand the stove on its side with the handle **6** uppermost. Remove the regulator **1** and hose from the slot on the underside.
2. Place the stove on a flat surface.
3. Open the lid on the stove by angling the handle 90° **11**. It is important that the handle is pointing straight up, otherwise the lid cannot be opened. Lift the lid as far as it will go.
4. In transportation mode, the pan support **4** is upside down. Turn the pan support so that the rough sides are uppermost, towards the pot. Ensure that the metal pins on the edges sit in the holes in the drip tray **3**.
5. Attach the gas cartridge to the regulator by screwing with a definite continuous motion as far as it will go. **9** Do this manually - DO NOT USE a pair of pliers, or similar.

6. Make sure that the gas cartridge is level with the regulator upwards **1**. Check that no gas is leaking from the connection between the regulator and the gas cartridge. Use soapy water as discussed in the section "Before ignition" if you are unsure.

**LIGHTING THE STOVE.** **IMPORTANT:** UNDER NO CIRCUMSTANCES MOVE the stove when it is lit, either with or without pots. If, due to the wind, the flames are forced down under the burner, turn the stove off and move it to a more sheltered location.

1. Rotate the gas supply knob **2** about one turn anti-clockwise, and light the burner with a long match, pocket lighter or similar. To reduce the gas flow, turn the gas control knob clockwise towards the round symbol.
2. Once the gas has been lit, you can adjust the flame and the supply of heat with the supply knob. The gas should burn directly upwards with a steady flame.
3. Put the pot or frying pan on the stove after the gas has been lit.
4. Flaring may occur during the warm up period the first minute of use, or if the appliance is moved during use

## **TURN OFF THE STOVE. IMPORTANT:** Do not pack up the stove before the burners and the pan supports have cooled down. Check that burners are extinguished before disconnecting the gas container.

1. Turn the stove off by twisting the gas supply knobs clockwise to the stop position. The valve is closed and the gas flow is stopped when the flame goes out. Do not use excessive force in turning off the supply; you may risk having problems when you try to turn on the supply next time.
2. When you are completely finished with the stove, and the burner **7** has been turned off, unscrew the gas cartridge **8** from the regulator **1** and place the regulator in the slot on the underside of the stove.
3. Rotate the pan supports, close the lid **5** and tilt the handle back **11** into position.

## **MAINTENANCE OF THE STOVE. IMPORTANT:** Regular cleaning and overhaul will extend the life of your stove. Do not try to repair screw threads or valves on the gas cartridges or the regulator yourself. If the stove needs to be repaired, please contact Primus. You will find contact information on the back page of this instruction booklet.

1. Remove the pan support. **4** Lift off the drip tray **3**. The drip tray may be cleaned in a dish-washer as well as manually.
2. The remainder of the stove should be wiped clean with a cloth and a mild cleanser, e.g. dish-washing liquid.

3. Examine the wooden parts. If they have been wet and have now dried, give them a lightly application of oil.
4. Reassemble the stove completely when fully dry. The deepest part of the drip tray should be closest to the lid.

## **IMPORTANT INFORMATION CONCERNING GAS CARTRIDGES.**

- This appliance shall only be used with either Primus 100 g, 230 g or 450 g single-use cartridges (marked 2202XX, 2206XX and 2207XX respectively).
- Different adapters are used for varying types of refillable cartridges. You can obtain other adapters, and exchange regulator components yourself if you carefully follow the instructions that go with them. Attempting to attach gas cartridges that are not designed for the stove can be dangerous.

# FREIHEIT FÜR IHRE ABENTEUER IM FREIEN.

Seit der Gründung von Primus im Jahr 1892 sind unsere schwedischen Ingenieure für die Konstruktion von Kochern für Entdecker und Abenteurer international bekannt. Unsere echte Leidenschaft für Abenteuer und technische Lösungen ist seit 130 Jahren die Grundlage für den Erfolg unserer Primus-Innovationen. Es ist eine Leidenschaft und gleichzeitig eine Berufung für uns. Für unsere Produkte sind wir stets „Feuer und Flamme“.

Egal zu welchem Abenteuer Sie sich aufmachen, wir möchten Sie mit einem funktionellen und zuverlässigen Campingkocher ausrüsten, der zu einem geschätzten Begleiter für Sie wird. Darum testen wir auch jeden einzelnen Campingkocher per Hand, bevor er unseren Hochtechnologiebetrieb in Europa verlässt. So können wir die anhaltend hohe Qualität und Funktionalität, die wir von unseren Produkten verlangen, kontinuierlich gewährleisten. Lesen Sie also dieses Handbuch sorgfältig durch, und kochen Sie sicher und mit Freude köstliche Gerichte - so wie es sein soll.

Genießen Sie Ihr Essen - genauso wie Ihre Abenteuer im Freien!



# SICHERHEITSHINWEISE.

Da Sie bei diesem Campingkocher mit entflammaren Substanzen umgehen, möchten wir Ihnen zunächst einige wichtige Hinweise geben, über die Sie vor dem Kochen Bescheid wissen müssen.

- ▶ **Wichtiger Hinweis:** Lesen Sie diese Gebrauchsanweisung sorgfältig durch, um sich mit dem Gerät vor dem Anschluss an den Gasbehälter vertraut zu machen. Bewahren Sie diese Gebrauchsanleitung zum späteren Nachschlagen auf.
- ▶ Nur in gut belüfteter Umgebung verwenden.
- ▶ Dichtungen und Anschlüsse vor jeder Verwendung des Kochers überprüfen (siehe Abschnitt „Vor dem Anzünden“). Gerät bei beschädigten oder verschlissenen Dichtungen nicht verwenden.
- ▶ Gasbehälter im Freien und abseits von anderen Personen wechseln. Die Gasströme durch Regler und Brenner nur im Freien überprüfen und von offenen Flammen fernhalten.
- ▶ Stellen Sie sicher, dass der Kocher nicht in der Nähe von brennbaren Stoffen, Gasen oder Flüssigkeiten verwendet wird. Bei der Verwendung des Kochers muss ein Mindestabstand von 1,25 m zu Dächern und von 0,5 m zu Wänden eingehalten werden.
- ▶ Lassen Sie den angezündeten Kocher zu keiner Zeit unbeaufsichtigt und stellen Sie jederzeit sicher, dass entflammare Stoffe während der Verwendung vom Kocher ferngehalten werden.
- ▶ Das Gerät darf nicht verändert werden. Befolgen Sie die Anweisungen zum Einbau von Ersatzteilen genau, wenn Sie selbst Teile auswechseln. Die Ersatzteile sind möglicherweise von Ihnen zu bestellen.
- ▶ Stellen Sie vor der Einlagerung des Kochers sicher, dass alle Teile sauber und trocken sind. Die Gaskartusche darf bei Lagerung niemals am Kocher angeschlossen sein. Die Gaskartusche muss an einem trockenen und sicheren Ort sowie vor direkter Sonneneinstrahlung oder Temperaturen von über 50 °C geschützt gelagert werden.
- ▶ Diese Anleitung ist für den späteren Gebrauch sicher aufzubewahren.

# BILDERKLÄRUNG

---

## PRODUKTÜBERSICHT & PRODUKTINFORMATIONEN

(SIEHE ABBILDUNG AUF DER KLAPPE LINKS)

- |                  |                               |                                 |
|------------------|-------------------------------|---------------------------------|
| 1 Regler         | 6 Griff                       | 10 Gaskupplung – Detailansicht  |
| 2 Gaszufuhrknopf | 7 Brenner                     | 11 Griff in geöffneter Stellung |
| 3 Abtropfschale  | 8 Gaskartusche                |                                 |
| 4 Topfhalter     | 9 Gewinde an der Gaskartusche |                                 |
| 5 Deckel         |                               |                                 |

---

## ZUBEHÖR & ERSATZTEILE

(SIEHE ABBILDUNG AUF DER KLAPPE LINKS)

- |   |  |
|---|--|
| A Schlauch inkl. Regler, Teile-Nr. 738026 | D Gaskartusche<br>100g, art nr 220610, 220620, 220630.<br>230g, art nr 220710, 220720, 220730.<br>450g, art nr 220210, 220220. |
| B Adaptern                                |  |
| C Grillplatte, Teile-Nr. 738018           |  |

Gasvarianten je nach Jahreszeit - für Sommer und Winter - sind ebenfalls als Zubehör erhältlich.

# GASARTEN UND GASVERBRAUCH

**MOJA 350170** Dieser Camping-Gaskocher ist zur Verwendung mit Primus Propan-/Isobutan-/Butan-Gaskartuschen mit den Produktbezeichnungen 2202xx, 2206xx und 2207xx vorgesehen. (Power-Gas-Kartusche (rot), Sommer-Gas-Kartusche (grün) oder Winter-Gas-Kartusche (braun)). Alternativ kann auch ein Zylinder mit flüssigem Propangas („LPG“), der mit den separat als Zubehör erhältlichen Adaptern kompatibel ist, verwendet werden.)

- Der Gasverbrauch beträgt 250 g/h/3,5 kW bei Butan mit einem Druck von 1 Bar beziehungsweise 250 g/h/11.000 BTU/h bei Butan mit 1,45 Bar Druck.
- Der Lochdurchmesser der Düsenöffnungen des Brenners beträgt 0,37 mm.

## PRÜFUNG DES KOCHERS. WICHTIGER

**HINWEIS:** Bringen Sie Ihr Gerät im Falle eines Gaslecks (Gasgeruch) sofort nach draußen an einen gut belüfteten und nicht feuergefährlichen Ort, an dem die undichte Stelle lokalisiert und abgedichtet/beseitigt werden kann. Das Gerät nur im Freien auf Dichtigkeit prüfen. Dichtigkeitsprüfungen nicht mittels Gasflamme sondern nur anhand von Seifenwasser durchführen. Für die Bestellung von Ersatzteilen kontaktieren Sie Primus oder Ihren Händler vor Ort. Die Kontaktinformationen befinden sich auf der Rückseite dieser Gebrauchsanleitung.

1. Feststellen von Gasaustritten an der Gaskartusche anhand von Geruch oder Geräuschen. **8**  
Wenn Sie sich nicht sicher sind, ob ein Gasleck vorliegt, prüfen Sie dies, indem Sie die Verbindung

zur Gaskartusche mit etwas Seifenwasser benetzen. Beim Auftreten von Blasen liegt ein Gasleck vor - den Kocher NICHT ANZÜNDEN!

2. Vor dem Anschluss an die Gaskartusche die Gasregler auf Aus-Stellung drehen (im Uhrzeigersinn) 2.
3. Dichtungen vor dem Anschluss eines neuen Gasbehälters an das Gerät überprüfen. 1 Gerät bei beschädigten oder verschlissenen Dichtungen nicht verwenden
4. Die Gewinde an der Gaskartusche und am Regler 9 müssen intakt sein. Bei Beschädigung jeglicher Art oder schiefer Gewinde ist die Gaskartusche auszuwechseln; bei Beschädigung des Reglers den Kocher NICHT VERWENDEN. Neuen Schlauch und Regler bestellen - siehe Zubehör auf der Seitenklappe.
5. Überprüfen Sie den Schlauch (er darf nicht geknickt oder eingeklemmt sein und vermeiden Sie ebenfalls ein Verdrehen des Schlauchs) und vergewissern Sie sich, dass er nicht beschädigt ist. Heben Sie den Topfhalter und die Abtropfschale an, um sicherzustellen 4 dass Schlauch 3 und Anschluss richtig ausgerichtet sind. Maximal zu verwendende Schlauchlänge: 2000 mm.

## VORBEREITUNG DES KOCHERS.

**WICHTIGER HINWEIS:** Achten Sie darauf, dass der Kocher auf einer stabilen und ebenen Unterlage steht und sich kein brennbares Material in der Nähe befindet. Überprüfen Sie die Standfestigkeit des Kochers! Der Kocher darf nicht umkippen, wenn sich ein Topf darauf befindet, da ansonsten Verbrühungsgefahr durch heiße Flüssigkeiten besteht!

1. Drehen Sie den Kocher auf die Seite, so dass der Griff 6 nach oben zeigt. Nehmen Sie Regler 1 und Schlauch aus dem Aufbewahrungsfach an der Unterseite.
2. Stellen Sie den Kocher auf einer ebenen Oberfläche auf.
3. Den Deckel des Kochers öffnen, indem der Griff nach oben geklappt wird 90 ° 11. Dabei muss der Griff genau nach oben zeigen, da der Deckel ansonsten nicht geöffnet werden kann. Deckel bis zu Anschlag anheben.

4. Während des Transports wird der Topfhalter **4** verkehrt herum aufbewahrt. Den Topfhalter so drehen, dass die raue Seite nach oben in Richtung des Topfes zeigt. Stellen Sie sicher, dass die Metallstifte an den Kanten in den Löchern in der Abtropfschale sitzen **3**.
5. Die Gaskartusche durch eine definierte, kontinuierliche Drehbewegung bis zum Festsitzen an den Regler anschließen **9**. Führen Sie diesen Vorgang manuell durch - VERWENDEN SIE KEINE Zangen oder ähnliches Werkzeug.
6. Stellen Sie sicher, dass die Gaskartusche mit dem Regler nach oben bündig abschließt **1**. Überprüfen Sie, dass von der Verbindung zwischen dem Regler und der Gaskartusche kein Gas austritt. Verwenden Sie im Zweifelsfall Seifenwasser, wie im Abschnitt „Vor dem Anzünden“ beschreiben.

**ANZÜNDEN DES KOCHERS. WICHTIGER HINWEIS:** Den Kocher nach dem Anzünden UNTER KEINEN UMSTÄNDEN BEWEGEN, weder mit, noch ohne Topf. Wenn Wind dazu führt, dass die Flammen in Richtung Brenner nach unten schlagen, schalten Sie den Kocher aus, und stellen Sie ihn an einen besser geschützten Ort.

1. Drehen Sie den Gaszufuhrknopf **2** etwa eine Umdrehung entgegen dem Uhrzeigersinn und entzünden Sie den Brenner mit einem langen Streichholz oder einem Taschenfeuerzeug.
2. Sobald sich das Gas entzündet hat, können Sie die Flamme und die Wärmezufuhr mit dem Gaszufuhrknopf regulieren. Das Gas sollte mit einer gleichmäßigen, gerade nach oben gerichteten Flamme brennen.
3. Stellen Sie den Topf oder die Bratpfanne auf den Kocher, nachdem Sie das Gas angezündet haben.

# AUSSCHALTEN DES KOCHERS.

**WICHTIGER HINWEIS:** Verpacken Sie den Kocher erst, wenn Brenner und Topfhalter ausreichend abgekühlt sind. Stellen Sie sicher, dass die Brenner abgeschaltet sind, bevor der Gasbehälter getrennt wird.

1. Schalten Sie den Kocher ab, indem Sie die Gaszufuhrknöpfe im Uhrzeigersinn bis zur „Stopp“-Position drehen. Das Ventil ist geschlossen und der Gasstrom sicher verriegelt, wenn die Flamme erlischt. Wenden Sie keine übermäßige Kraft beim Ausschalten der Gaszufuhr an. Dies kann zu Problemen führen, wenn Sie die Gaszufuhr beim nächsten Mal einzuschalten versuchen.
2. Wenn Sie den Kocher nicht mehr benötigen und der Brenner **7** ausgeschaltet wurden, schrauben Sie bitte die Gaskartusche **8** vom Regler ab **1** und platzieren den Regler im Aufbewahrungsfach unter dem Kocher.
3. Drehen Sie die Topfhalter, schließen Sie den Deckel **5** und drehen Sie den Griff zurück in die Ausgangsposition **11**.

# WARTUNG DES KOCHERS. WICHTIGER

**HINWEIS:** Durch regelmäßige Reinigung und Wartung können Sie die Lebensdauer Ihres Kochers verlängern. Versuchen Sie nicht, die Schraubgewinde beziehungsweise Ventile an der Gaskartusche oder am Regler eigenhändig zu reparieren. Wenn der Kocher repariert werden muss, wenden Sie sich bitte an Primus. Die Kontaktinformationen befinden sich auf der Rückseite dieser Gebrauchsanleitung.

1. Topfhalter entfernen **4**. Abtropfschale abheben **3**. Die Abtropfschale kann in der Spülmaschine oder von Hand gereinigt werden.

2. Der übrige Kocher sollte mit einem Tuch und einem milden Reinigungsmittel gereinigt werden, z. B. mit einem Geschirrspülmittel.
3. Die Holzteile überprüfen. Wenn die Holzteile nass geworden sind, tragen Sie bitte nach dem Trocknen etwas Öl auf.
4. Setzen Sie den Kocher erst dann vollständig wieder zusammen, wenn er völlig trocken ist. Der tiefste Teil der Abtropfschale muss sich am nächsten zum Deckel befinden.

## **WICHTIGE INFORMATIONEN IN BEZUG AUF GASKARTUSCHEN.**

- Dieses Gerät ist ausschließlich mit den Primus 100 g, 230 g oder 450 g Einwegkartuschen (jeweils mit 2202xx, 2206xx beziehungsweise 2207xx gekennzeichnet) zu verwenden.
- Für verschiedene Arten von nachfüllbaren Kartuschen werden jeweils unterschiedliche Adapter verwendet. Daneben sind weitere Adapter erhältlich. Sie können die Reglerkomponenten eigenhändig austauschen, wenn Sie die beiliegende Anleitung genau befolgen. Das Anschließen von nicht für den Kocher vorgesehenen Gaskartuschen kann eine Gefahr darstellen.

# LA LIBERTÉ D'EXPLORER.

Depuis la création de Primus en 1892, nos ingénieurs suédois sont mondialement reconnus pour leurs créations de réchauds à destination des explorateurs et des aventuriers. Notre véritable passion pour l'aventure et les solutions techniques est la raison du succès des innovations de Primus depuis 130 ans. Il s'agit d'une passion et d'une vocation pour laquelle nous continuons à nous enthousiasmer.

Quel que soit le niveau des aventures dans lesquelles vous souhaitez vous lancer, nous souhaitons vous proposer un réchaud fonctionnel et fiable qui constituera votre précieux compagnon pour la vie. C'est la raison pour laquelle nous testons chaque réchaud, individuellement et manuellement, avant qu'il ne quitte notre usine européenne ultramoderne. De cette façon, nous pouvons maintenir le haut niveau de qualité et de fonctionnalité que nous exigeons de nos produits. Par conséquent, lisez attentivement ce manuel et assurez-vous que votre cuisine est aussi sûre, amusante et savoureuse que possible.

Dégustez vos plats, profitez de la vie en plein air !



# QUELQUES MOTS SUR LA SÉCURITÉ.

Dans la mesure où vous manipulez des substances hautement inflammables, nous souhaitons attirer votre attention sur quelques points importants avant de commencer.

- Important : Lisez attentivement ce mode d'emploi afin de vous familiariser avec l'appareil avant de le raccorder à sa cartouche de gaz. Conservez ces instructions pour consultation ultérieure.
- Utilisez ce produit uniquement dans un espace bien ventilé.
- Vérifiez les joints et les raccordements à chaque utilisation du réchaud (voir la section « Avant l'allumage »). N'utilisez pas l'appareil s'il présente des joints endommagés ou usés.
- Changez la cartouche de gaz à l'extérieur et à l'écart des autres personnes. La vérification des flux de gaz dans le détendeur et les brûleurs doit être effectuée à l'extérieur et loin de toute flamme nue.
- Assurez-vous que le réchaud n'est pas utilisé à proximité de matériaux, de gaz ou de fluides combustibles. Lors de son utilisation, la distance doit être au moins de 1250 mm par rapport à un toit et de 500 mm par rapport à un mur.
- Ne laissez jamais un réchaud allumé sans surveillance et assurez-vous toujours que les matières inflammables sont maintenues à l'écart du réchaud quand il est en cours d'utilisation.
- Ne modifiez pas l'appareil. Suivez attentivement les instructions d'installation des pièces de rechange pouvant être commandées, si vous souhaitez les remplacer vous-même.
- Ne laissez pas cet appareil sans surveillance lorsqu'il est en marche ; Tenez les enfants et les animaux domestiques à l'écart de l'appareil à tout moment.
- Si le réchaud doit être rangé, assurez-vous que tous ses composants sont propres et secs. La cartouche de gaz ne doit jamais être raccordée au réchaud lorsqu'il est rangé. La température de stockage et de fonctionnement en toute sécurité est de 50 °C (122 °F) maximum.
- Conservez ce manuel d'instructions pour pouvoir le consulter quand vous en aurez besoin.

# EXPLICATION DES IMAGES

---

## INFORMATIONS DÉTAILLÉES SUR LE PRODUIT

(VOIR LES ILLUSTRATIONS SUR LE VOLET DE GAUCHE)

- |                        |                                     |  |
|------------------------|-------------------------------------|--|
| 1 Détendeur            | 6 Poignée                           | 10 Raccord pour gaz – vue détaillée        |
| 2 Bouton de gaz        | 7 Brûleur                           | 11 Angle de la poignée en position ouverte |
| 3 Plateau d'égouttage  | 8 Cartouche de gaz                  |  |
| 4 Support de récipient | 9 Filetages sur la cartouche de gaz |  |
| 5 Lock                 |                                     |  |

---

## ACCESSOIRES & PIÈCES DÉTACHÉES

(VOIR LES ILLUSTRATIONS SUR LE VOLET DE GAUCHE)

- |  |  |
|--|--|
| A Tuyau avec détendeur, référence 738026 | D Cartouche de gaz<br>100 g, référence 220610, 220620, 220630.<br>230 g, référence 220710, 220720, 220730.<br>450 g, référence 220210, 220220. |
| B Adaptateurs                            |  |
| C Plaque de grill, référence 738018      |  |

Des variantes saisonnières de gaz, été et hiver, sont également disponibles en accessoires.

# UTILISATION DU GAZ MOJA 350170

Ce réchaud est prévu pour une utilisation avec du gaz Propane/Isobutane/Butane Primus en cartouches de références 2202xx, 2206xx, 2207xx. (Gaz d'alimentation rouge, gaz d'été vert ou gaz d'hiver marron). Alternativement, un cylindre GPL qui s'ajuste aux adaptateurs, vendu séparément sous forme d'accessoire.

- La consommation de gaz est de 250 g/h/3,5 kW de butane sous une pression de 1 bar. Ou de 250 g/h/11 000 BTU/h de butane sous une pression de 1,45 bar.
- Le diamètre du trou dans l'embout du brûleur du réchaud est de 0,37 mm.

**VÉRIFIER LE RÉCHAUD. IMPORTANT :** en cas de fuite sur votre appareil (odeur de gaz), mettez-le immédiatement à l'extérieur, dans un lieu sans flamme et bien ventilé, où la fuite peut être détectée et arrêtée. Si vous souhaitez contrôler la présence de fuites sur votre appareil, faites-le à l'extérieur. N'essayez pas de détecter les fuites avec une flamme, utilisez de l'eau savonneuse. Contactez Primus ou votre revendeur local pour commander des pièces de rechange. Les coordonnées se trouvent en dernière page de ce livret d'instructions.

1. Détectez des odeurs ou des bruits indiquant d'éventuelles fuites de la cartouche de gaz. **8** Si vous n'en êtes pas certain(e), vous pouvez le vérifier en mettant de l'eau savonneuse sur le raccord de la cartouche de gaz. Si vous voyez des bulles, il y a une fuite de gaz. **N'ALLUMEZ PAS** le réchaud !
2. Les boutons de commande de gaz **2** du réchaud doivent être fermés (tournez-les dans le sens des aiguilles d'une montre pour les fermer) avant de raccorder la cartouche de gaz.

3. Vérifiez les joints avant de raccorder une nouvelle cartouche de gaz à l'appareil. 1 N'utilisez pas l'appareil s'il présente des joints endommagés ou usés.
4. Les filetages sur la cartouche de gaz et le détendeur doivent être intacts 9. S'ils sont endommagés d'une façon ou d'une autre ou s'ils sont de travers, remplacez la cartouche de gaz. Si le détendeur est endommagé, N'UTILISEZ PAS le réchaud. Commandez un nouveau tuyau et un nouveau détendeur : voir les Accessoires sur le volet latéral.
5. Examinez le tuyau (afin de vérifier qu'il n'est ni entortillé ni écrasé. Évitez de tordre le tuyau flexible) pour vous assurer qu'il n'est pas endommagé. Soulevez le support de récipient 4 et le plateau d'égouttage 3 pour vous assurer que le tuyau et le connecteur sont correctement ajustés. Longueur maximale du tuyau à utiliser : 2000mm.

## PRÉPARER LE RÉCHAUD. IMPORTANT :

Prenez soin de vous assurer que le réchaud est placé sur une surface stable et plane, sans matière combustible à proximité. Vérifiez sa stabilité ! Si vous inclinez le réchaud alors que des récipients se trouvent dessus, vous risquez d'être ébouillanté(e) par des liquides chauds.

1. Placez le réchaud sur le côté. Retirez le détendeur et le tuyau de l'emplacement sur le côté inférieur 6 avec la poignée dans la position la plus haute. Retirez le détendeur et le tuyau de l'emplacement sur le côté inférieur 1.
2. Placez le réchaud sur une surface plane.
3. Ouvrez le couvercle du réchaud en inclinant la poignée de 90° 11. Il est important que la poignée soit dirigée vers le haut, dans le cas contraire le couvercle ne peut pas être ouvert. Soulevez le couvercle au maximum.

4. En mode transport, le support de récipient est à l'envers. 4 Tournez le support de récipient de sorte que les faces rugueuses soient positionnées le plus haut possible et orientées vers le récipient. Assurez-vous que les broches métalliques sur les côtés s'insèrent dans les trous du plateau d'égouttage 3.
5. Fixez la cartouche de gaz au détendeur en vissant au maximum avec un mouvement continu et défini. Faites-le manuellement - N'UTILISEZ PAS une pince ou un objet semblable 11.
6. Assurez-vous que la cartouche de gaz est au même niveau que le détendeur orienté vers le haut 1. Vérifiez que du gaz ne fuit pas au niveau du raccordement entre le détendeur et la cartouche de gaz. Utilisez de l'eau savonneuse comme indiqué dans la section « Avant l'allumage » si vous n'en êtes pas sûr(e)

## **ALLUMER LE RÉCHAUD. IMPORTANT :**

NE DÉPLACEZ EN AUCUN CAS le réchaud lorsqu'il est allumé, avec ou sans récipients. Si, en raison du vent, les flammes sont dirigées vers le bas, sous le brûleur, éteignez le réchaud et déplacez-le dans un emplacement plus abrité.

1. Tournez le bouton 2 d'environ un tour dans le sens inverse des aiguilles d'une montre, et allumez le brûleur avec une allumette longue, un briquet de poche ou un objet similaire.
2. Une fois le gaz allumé, vous pouvez régler la flamme et l'émission de chaleur avec le bouton d'alimentation. Le gaz doit brûler directement vers le haut avec une flamme constante.
3. Mettez le récipient ou la poêle sur le réchaud une fois que le gaz a été allumé.

# ÉTEINDRE LE RÉCHAUD. IMPORTANT :

Ne rangez pas le réchaud avant que les brûleurs et les supports de récipient aient refroidi. Vérifiez que les brûleurs sont éteints avant de débrancher la cartouche de gaz.

1. Éteignez le réchaud en tournant les boutons d'alimentation de gaz dans le sens des aiguilles d'une montre sur la position d'arrêt. La valve est fermée est le flux de gaz est arrêté quand la flamme s'éteint. N'exercez pas une force excessive en coupant l'alimentation ; vous risqueriez d'avoir des problèmes en essayant d'ouvrir l'alimentation plus tard.
2. Si vous avez complètement terminé d'utiliser le réchaud et si le brûleur ont été éteints **7** et si les deux brûleurs ont été éteints **8** dévissez la cartouche de gaz du détendeur **1** et placez le détendeur dans l'emplacement sur le côté inférieur du réchaud.
3. Tournez les supports de récipient **5** fermez le couvercle et faites basculer la poignée vers l'arrière.

## MAINTENANCE DU RÉCHAUD.

**IMPORTANT :** un nettoyage et un entretien réguliers prolongent la durée de vie de votre réchaud. N'essayez pas de réparer vous-même les filetages ou les valves sur les cartouches de gaz ou le détendeur. Si le réchaud doit être réparé, veuillez contacter Primus. Les coordonnées se trouvent en dernière page de ce livret d'instructions.

1. Retirez le support de récipient. **4** Retirez le plateau d'égouttage en le soulevant **3**. Le plateau d'égouttage peut être nettoyé dans un lave-vaisselle et à la main.
2. Les éléments restants du réchaud doivent être nettoyés avec un chiffon et un nettoyant doux, tel que du liquide vaisselle.

3. Examinez les pièces en bois. Si elles ont été mouillées et ont séché, appliquez une légère couche d'huile dessus.
4. Remontez complètement le réchaud une fois complètement sec. La partie la plus profonde du plateau d'égouttage doit être la plus proche du couvercle.

## **INFORMATIONS IMPORTANTES CONCERNANT LES CAR- TOUCHES DE GAZ.**

- Cet appareil doit uniquement être utilisé avec les cartouches à usage unique Primus 100 g, 230 g ou 450 g (marquées respectivement 2202xx, 2206xx et 2207xx).
- Plusieurs adaptateurs sont utilisés pour les différents types de cartouches rechargeables. Vous pouvez obtenir d'autres adaptateurs et échanger vous-même les composants du détendeur si vous suivez attentivement les instructions fournies avec. Essayer de raccorder des cartouches de gaz qui ne sont pas conçues pour le réchaud peut être dangereux.

# FRIHET ATT UPPTÄCKA.

Ända sedan starten 1892 har våra svenska ingenjörer på Primus varit internationellt uppmärksammade för att konstruera kök för upptäckare och äventyrare. Det är vår genuina passion för äventyr och tekniska lösningar som ligger bakom Primus framgångsrika innovationer sedan 130 år och än idag.

Oavsett vilket slags äventyr du vill ge dig ut på, så vill vi utrusta dig med ett funktionellt och pålitligt kök, en trogen följeslagare genom hela livet. Genom att testa varje kök, individuellt och för hand, innan det lämnar vår högteknologiska fabrik i Europa, kan vi hålla den höga nivån på kvalitet och funktion som vi ställer på våra produkter.

Läs den här instruktionsboken noggrant, så att din matlagning blir så säker, rolig och välsmakande som den är tänkt att vara!

Njut av maten - njut av livet ute!



# NÅGRA ORD OM SÄKERHET.

Efter-  
som du handskas med mycket brandfarliga ämnen ber vi om att få  
uppmärksamma dig på några viktiga punkter innan du sätter igång.

SE

- Läs instruktionerna noga innan du använder köket.
- Använd aldrig köket inomhus eller i utrymmen utan fritt luftflöde och se till att ventilationen är god under hela användningen.
- Kontrollera tätningar och anslutningar varje gång du ska använda köket. (se avsnittet "Innan tändning") Är de skadade eller felaktiga - använd inte köket!
- Byt gasbehållare utomhus och aldrig i närheten av andra personer. Kontroll av att gasen flödar genom regulator och brännare måste ske utomhus, utan öppen eld i närheten.
- Se till att köket inte används i närheten av brännbara material, gas eller vätskor.
- Vid användning måste avstånd till tak vara minst 1250 mm och till vägg minst 500 mm.
- Lämna aldrig ett tänt kök utan uppsikt och se till att brandfarligt material inte kan komma i närheten av köket under användning.
- Modifiera eller ändra inte kökets funktion på egen hand. Var noga med att följa instruktionerna till reservdelarna som finns att beställa, om du ska byta ut dem.
- När köket förvaras, se till att alla delar är rena och torra. Gasbehållaren får aldrig var ansluten till köket under förvaring. Förvara gasbehållarna torrt, säkert och utan att påverkas av direkt solljus eller värme över 50°C.
- Spara den här instruktionsboken för att kunna gå tillbaka till den när du behöver.

# BILDFÖRKLARING

---

## PRODUKTÖVERSIKT & PRODUKTDETALJER

(SE ILLUSTRATIONEN PÅ UTVIKET TILL VÄNSTER)

- |   |            |    |                               |    |                                |
|---|------------|----|-------------------------------|----|--------------------------------|
| 1 | Regulator  | 6  | Handtag                       | 11 | Handtagets vinkel i öppet läge |
| 2 | Gasvred    | 7  | Brännare                      |    |                                |
| 3 | Dropp-plåt | 8  | Gasbehållare                  |    |                                |
| 4 | Kärlestöd  | 9  | Gänga på gasbehållaren        |    |                                |
| 5 | Lock       | 10 | Gasanslutning - detaljritning |    |                                |

---

## TILLBEHÖR & RESERVDLAR

(SE ILLUSTRATIONEN PÅ UTVIKET TILL VÄNSTER)

- |   |                                  |   |   |
|---|----------------------------------|---|---|
| A | Slang & regulator, art nr 738026 | D | Gasbehållare<br>100g, art nr 220610, 220620, 220630.<br>230g, art nr 220710, 220720, 220730<br>450g, art nr 220210, 220220. |
| B | Adaptrar                         |   |   |
| C | Grillpanna, art nr 738018        |   |   |

Säsongsvarianter på gas, sommar- respektive vintergas, finns också som tillbehör.

# GASANVÄNDNING MOJA 350170

Det här köket är avsett att användas med Primus gas Propan/Isobutan/Butan i behållare med beteckning 2202xx, 2206xx, 2207xx. (Röd Power Gas, grön Summer Gas eller brun Winter Gas.) Alternativt med LPG-behållare som passar adaptrar som säljs separat som tillbehör.

SE

- Gasförbrukningen är 250 g/h/3,5 kW butan under tryck 1 bar. Eller 250 g/h/11 000 BTU/h butan under tryck 1,45 bar.
- Munstycket i kökets brännare har håldiameter 0,37 mm.

## KONTROLLERA KÖKET. VIKTIGT:

Finns det misstanke om läckage eller skador - använd inte köket. Kontakta Primus eller din återförsäljare för att få reservdelar. Kontaktuppgifter hittar du på baksidan av den här instruktionsboken.

1. Lukta och lyssna efter gasläckor från gasbehållaren. **8** Känner du dig osäker kan du kontrollera genom att hälla såpvatten på anslutningen till gasbehållaren. Kommer det bubblor läcker det gas - tänd inte!
2. Gasvreden **2** på köket måste vara stängda (vrid medurs för att stänga) innan gasbehållaren ansluts.
3. Kontrollera packningen i regulatorn. **1** Den får inte vara skadad, torr eller sprucken.

4. Gångorna på både gasbehållaren och regulatorn **9** måste vara hela. Är de skadade eller gängar snett, byt gasbehållare eller om regulatorn är skadad - använd inte köket. Beställ en ny slang med regulator, se tillbehör på utviket.
5. Se över slangen (så den inte är vikt eller klämd). Lyft på kärlstödet **4** och dropp-plåten **3** för att se slang och anslutning ordentligt. Maximal slanglängd: 2000 mm.

**FÖRBERED NOGA. VIKTIGT:** Var noga med att köket står på en stabil och plan yta utan brännbart material i närheten. Kontrollera stabiliteten! Tippar köket med kastruller på så riskerar du att bränna dig på het vätska.

1. Ställ köket på kant med handtaget **6** uppåt. Ta fram regulatorn **1** och slangen ur facket som sitter på undersidan.
2. Placera köket på en plan yta.
3. Öppna locket på köket genom att vinkla upp handtaget 90° **11**. Viktigt att handtaget pekar rakt uppåt, annars går inte locket att öppna. Fäll upp locket till stoppläge.
4. Kärlstödet **4** är i transportläget upp och nervänt. Vänd kärlstödet så att de taggiga sidorna är uppåt, mot kastrullen. Se till att metallpiggarna på kanterna sitter i hålen i dropp-plåten **3**.
5. Gånga på gasbehållaren på regulatorn genom att skruva med en bestämd kontinuerlig rörelse till stopp. **9** Använd bara handkraft.
6. Se till att gasbehållaren står plant med regulatorn **1** uppåt. Kontrollera att ingen gas läcker från anslutningen mellan regulator och gasbehållare. Använd såpvatten enligt avsnittet "Innan tändning" om du är osäker.

# TÄND KÖKET. VIKTIGT:

Flytta absolut inte köket när köket är tänt. Varken med eller utan kastruller. Om lågorna pressas ner under brännaren av vind, stäng av köket och flytta det till en mer vindskyddad plats.

SE

1. Vrid gasvredet **2** vid brännaren cirka ett varv moturs och tänd brännaren med en lång tändsticka, tändstål eller liknande.
2. När gasen har antänds kan du justera lågan, och på så vis värmen, med gasvredet. Lågan ska brinna rakt uppåt med stabil låga.
3. Ställ på kastrullen eller stekpannan efter att lågan tänts.

## **STÄNG AV KÖKET.** **VIKTIGT:** Montera inte ihop köket förrän brännarna och kärilstöden är svala.

1. Stäng av köket genom att vrida gasvredet medurs tills det tar stopp. Ventilen och gasflödet är stängt när lågan slocknat. Dra inte onödigt hårt, du riskerar att få problem när du ska öppna vredet nästa gång.
2. Är du helt färdig med köket, och brännaren **7** är släckt, skruvar du loss gasbehållaren **8** från regulatorm **1** och placerar regulatorm i facket på undersidan av köket.
3. Vänd på kärilstöden, stäng locket **5** och vinkla tillbaka handtaget **11** i läge.

## **UNDERHÅLL DITT KÖK.** **VIKTIGT:** Regelbunden rengöring och översyn förlänger livslängden på ditt kök. Försök inte laga gängor eller ventiler på gasflaskorna eller regulatorm själv. Behöver köket lagas, kontakta Primus. Kontakt-uppgifter hittar du på baksidan av den här instruktionsboken.

1. Ta bort kärilstödet **4**. Lyft av dropp-plåten **3**. Dropp-plåten kan diskas i diskmaskin eller för hand.
2. Övriga köket torkas rent med trasa och mildt rengöringsmedel, t.ex. diskmedel.
3. Se över trädetaljerna. Om de varit blöta eller har torkat: Smörj in träet med olja.
4. Montera ihop när allt är torrt. Dropp-plåtens djupare del ska vara närmast locket.

# VIKTIGT OM GASBEHÅLLARNA.

- Köket används med antingen engångsgasbehållare Primus 100 g, 230 g eller 450 g (beteckningar 2202XX, 2206XX respektive 2207XX).
- Olika adaptrar används till olika typer av påfyllningsbara gasflaskor. Du kan skaffa andra adaptrar och byta ut delar i regulatorn på egen hand enligt tillhörande instruktioner. Att försöka ansluta gasbehållare som inte passar kan vara farligt.

**SE**

# VAPAAUS TUTUSTUA UUTEEN.

Aina Primuksen perustamisvuodesta 1892 lähtien ruotsalaiset insinöörimme ovat saaneet kansainvälistä tunnustusta retkeilijöille ja seikkailijoille suunnittelemistaan keittimistä. Aito intohimomme seikkailuihin ja teknisiin ratkaisuihin ovat taanneet Primus-keksintöjen menestyksen 130 vuoden ajan. Intohimo ja kutsumus saavat meidät vieläkin syttymään.

Riippumatta siitä, minkätasoinen seikkailu sinua kiehtoo, haluamme tarjota sinulle toiminnallisen ja luotettavan keittimen, josta tulee kallisarvoinen elämäkumppanisi. Siksi testaammekin joka ikisen keittimen yksitellen käsin ennen kuin se lähtee huipputeknisestä eurooppalaisesta tehtaastamme. Näin kykenemme säilyttämään korkean laatutason ja erinomaisen toiminnallisuuden, jota tuotteitamme vaadimme. Lue siis tämä opas huolella ja varmista, että ruoanlaittosi sujuu juuri niin turvallisesti, hauskaasti ja maistuvasti kuin pitääkin.

Nauti ruoasta – ja ulkoilmaelämästä!



# MUUTAMA SANA TURVALLISUUDESTA.

Koska käsittelet erittäin herkästi syttyviä aineita, tahdomme kertoa sinulle muutaman tärkeän seikan ennen kuin alat käyttää tuotettamme.

FI

- Tärkeää: Lue nämä käyttöohjeet huolella tutustuaksesi laitteeseen ennen kuin yhdistät sen kaasupulloon. Säilytä nämä ohjeet tulevaa käyttöä varten.
- Käytä vain hyvin tuuletetulla alueella.
- Tarkista tiivisteet ja liitännät keittimen joka käyttökerralla (katso osio "Ennen sytyttämistä"). Älä käytä laitetta, jos sen tiivisteet ovat vaurioituneet tai kuluneet!
- Vaihda kaasupullo ulkona ja kaukana muista. Säätimen ja polttimien kaasuvirta on tarkistettava ulkoilmassa ja kaukana avoliekeistä.
- Varmista, ettei keittintä käytetä minkään tulenaran materiaalin, kaasun tai nesteiden lähettyvillä. Kun keitin on käytössä, sen yläpuolella on oltava 1250 mm ja sivuilla 500 mm vapaata tilaa.
- Älä koskaan jätä keittintä valvomatta ja varmista aina, että käytössä olevan keittimen lähettyvillä ei ole tulenarkoja materiaaleja.
- Älä muuntele laitetta. Noudata tarkkaan ohjeita tilattavien varaosien asennuksessa, mikäli aiot vaihtaa ne itse.
- Tarkista, että keittimen kaikki osat ovat puhtaita ja kuivia, kun laitat sen säilytyspaikkaan. Kaasupatruunan ei tule koskaan olla kiinni keittimessä, kun keitin on säilytyspaikassa. Säilytä kaasupatruuna kuivassa ja turvallisessa paikassa, suojassa suoralta auringonvalolta ja yli 50 °C:n lämpötilalta.
- Säilytä tämä käyttöopas, jotta voisit lukea sitä aina tarvittaessa.

# KUVIEN SELITYKSET

---

## TUOTETIEDOT & TUOTEKUVAUS

(KATSO VASEMMASSA TAITTEESSA OLEVIA KUVIA)

- 1 Säädin
- 2 Kaasunuppi
- 3 Kattilatuki
- 4 Kansi
- 5 Tuulisuoja
- 6 Kahva
- 7 Poltin
- 8 Kaasupatruuna
- 9 Kaasupatruunan kiertet
- 10 Kaasuliitäntä – tarkka kuva
- 11 Kahvan kulma auki-asennossa

---

## LISÄVARUSTEET & VARAOSAT

(KATSO VASEMMASSA TAITTEESSA OLEVIA KUVIA)

- A Letku ja säädin, osanro 738026
- B Adaptoreihin
- C Paistolevy, osanro 738018
- D Kaasupatruuna  
100 g, osanro 220610, 220620, 220630.  
230 g, osanro 220710, 220720, 220730.  
450 g, osanro 220210, 220220.

Vuodenaikakaasuja – kesä- ja talvikaasut – on myös saatavilla lisävarusteina.

# KAASUN KÄYTTÖ MOJA 350170

Tämä keitin on tarkoitettu käytettäväksi Primus-kaasun kanssa. Kaasu on propania/isobutaania/butaania, ja se myydään patruunoissa, joissa on merkintä 2202xx, 2206xx, 2207xx. (punainen Power Gas, vihreä Summer Gas tai ruskea Winter Gas). Vaihtoehtoisesti voit käyttää nestekaasusylinteriä, joka sopii adaptereihin ja joka myydään erikseen lisävarusteena.

- Kaasun kulutus on 250 g/h/3,5 kW butaania 1 baarin paineella tai 250 g/h/11,000 BTU/h butaania 1,45 baarin paineella.
- Keittimen polttimen suuttimen halkaisija on 0,37 mm.

## KEITTIMEN TARKISTUS. TÄRKEÄÄ:

Jos laitteesi vuotaa (haistat kaasun hajun), vie se välittömästi ulos hyvin tuuletettuun paikkaan, jossa ei ole liekkejä ja jossa vuoto voidaan havaita ja korjata. Jos haluat etsiä vuotokohtia laitteestasi, tee se ulkona. Älä koeta etsiä vuotokohtia liekin avulla vaan käytä saippuavettä. Ota yhteyttä Primus-yritykseen tai paikalliseen jälleenmyyjään tarvitessasi varaosia. Löydät yhteystiedot tämän ohjekirjasen takasivulta.

1. Haista tai kuuntele, vuotaako kaasupatruunasta öljyä. **8** Jos et ole varma, voit tarkistaa asian laittamalla vähän saippuavettä kaasupatruunan liitäntäkohtaan. Jos näet kuplia, kaasua vuotaa ulos – ÄLÄ SYTYTÄ keitintä!

2. Keittimen kaasusäädinten **2** on oltava kiinni (sulje ne kääntämällä myötäpäivään) ennen kaasupatruunan liittämistä innan gasbehållaren ansluts.
3. Tarkista tiivisteet ennen kuin liität uuden kaasupullon laitteeseen. **1** Älä käytä laitetta, jos sen tiivisteet ovat vaurioituneet tai kuluneet.
4. Sekä kaasupatruunan että säätimen **9** kierteiden tulee olla ehjiä. Jos kiertteet ovat vaurioituneet tai kääntyneet, kaasupatruuna on vaihdettava. Jos säädin on vaurioitunut, keitintä EI SAA KÄYTTÄÄ. Tilaa uusi letku ja säädin: katso lisävarustetiedot sivutaitteesta.
5. Tarkista letku (se ei saa olla mutkalla eikä litistynyt; älä väännä letkua mutkalle) vaurioiden varalta. Nosta kattilatukea **4** ja tippa-alustaa varmistaaksesi **3**, että letku ja liitin on säädetty kunnolla. Letkun maksimipituus: 2 metriä.

## **KEITTIMEN VALMISTELU. TÄRKEÄÄ:**

Varmista huolellisesti, että keitin on vakaalla ja tasaisella pinnalla ja että sen lähellä ei ole syttyvää materiaalia. Tarkista keittimen vakaus! Jos keitin kaatuu, kun sen päällä on kattiloita, vaarana on kuumien nesteiden aiheuttamat palovammat.

1. Aseta keitin lappeelleen kahva ylöspäin. **6** Irrota säädin ja letku alapuolen aukosta **1**.
2. Aseta keitin tasaiselle pinnalle.
3. Avaa keittimen kansi kallistamalla kahvaa 90° **11**. Kahvan on osoitettava suoraan ylöspäin, muuten kantta ei saa auki. Nosta kansi niin ylös kuin mahdollista.

4. Kuljetustilassa kattilatuki **4** on ylösalaisin. Käännä kattilatuki niin, että epätasaiset puolet ovat ylhäällä kattilaan päin. Varmista, että reunojen metallitapit ovat tippa-alustan reiässä **3**.
5. Kiinnitä kaasupatruuna säätimeen kiertämällä se paikoilleen määrätietoisella ja jatkuvalla liikkeellä niin pitkälle kuin mahdollista. **9** Tee tämä toimenpide käsin – ÄLÄ KÄYTÄ pihtejä tai muita vastaavia työkaluja.
6. Varmista, että kaasupatruuna on samalla tasolla ylöspäin olevan säätimen kanssa **1**. Tarkista, että säätimen ja kaasupatruunan välisestä liittännästä ei vuoda kaasua. Jos et ole varma, käytä saippuavettä osiossa "Ennen sytyttämistä" annettujen ohjeiden mukaan.

## KEITTIMEN SYTYTTÄMINEN.

**TÄRKEÄÄ:** Älä pakkaa keitintä pois, ennen kuin polttimet ja kattilatuet ovat jäähtyneet. Tarkista ennen kaasupullon irrottamista, että polttimet ovat sammuneet.

1. Käännä sytytettävän polttimen kaasunsyöttönuppia **2** noin yksi kierros vastapäivään ja sytytä poltin pitkällä tulitikutilla, sytyttimellä tai vastaavalla.
2. Kun kaasu on sytytetty, voit säätää liekkiä ja lämmönsyöttöä syöttönupista. Kaasun tulisi palaa suoraan ylöspäin tasaisella liekillä.
3. Laita kattila tai paistinpannu keittimen päälle sen jälkeen kun kaasu on sytytetty.

# KEITTIMEN SAMMUTTAMINEN.

**TÄRKEÄÄ:** Älä pakkaa keitintä pois, ennen kuin polttimet ja kattilatuet ovat jäähtyneet. Tarkista ennen kaasupullon irrottamista, että polttimet ovat sammuneet.

1. Sammuta keitin vääntämällä kaasunsyöttöruipit myötäpäivään stop-asentoon. Venttiili on kiinni ja kaasuvirta lakannut, kun liekki sammuu. Älä käytä liikaa voimaa syötön sammutuksessa. Muuten saattaa ilmetä ongelmia seuraavalla kerralla kun syöttö laitetaan päälle.
2. Kun olet lopettanut vedenkeittimen käytön kokonaan **7** ja poltin on sammunut, **8** ruuvaa kaasupatruuna irti säätimestä **1** ja aseta säädin keittimen alapuolella olevaan tilaan.
3. Käännä kattilatukea, **5** sulje kansi ja kallista kahva takaisin kohdalleen **11** kohdalleen.

# KEITTIMEN HUOLTO. TÄRKEÄÄ:

Säännöllinen puhdistus ja huolto pidentävät keittimesi käyttöikää. Älä koeta itse korjata kaasupatruunoiden tai säätimen ruuvien kierteitä tai venttiilejä. Jos keitin kaipaa korjausta, ota yhteyttä Primus-yritykseen. Löydät yhteystiedot tämän ohjekirjasen takasivulta.

1. Irrota kattilatuki **4**. Nosta tippa-alusta pois **3**. Tippa-alusta voidaan pestä niin astianpesukoneessa kuin käsin.
2. Keittimen muut osat tulee pyyhkiä puhtaiksi liinalla ja miedolla pesuaineella, esimerkiksi astianpesuaineella.

3. Tarkista puiset osat. Jos ne olivat kosteita ja ovat nyt kuivuneet, öljyä ne kevyesti.
4. Kokoa keittimen kaikki osat, kun ne ovat kuivuneet kokonaan. Tippa-alustan syvimmän kohdan tulee olla lähinnä kantta.

## TÄRKEÄÄ TIETOA KAASUPATRUUNOISTA.

FI

- Tässä laitteessa voidaan käyttää vain Primus-merkkisiä 100 g:n ja 230 g:n tai 450 g:n kertakäyttöpatruunoita (niissä on järjestyksessä seuraavat merkinnät: 2202xx, 2206xx and 2207xx).
- Erilaisia täytettäviä kaasupatruunoita varten käytetään eri sovitimia. Voit hankkia muita sovitimia ja vaihtaa säätimen osat itse, jos noudatat osien kanssa toimitettuja ohjeita tarkasti. Muiden kuin keitintä varten suunniteltujen kaasupatruunoiden liittäminen saattaa olla vaarallista.

# FRIHET TIL Å UTFORSKE.

Helt siden Primus ble etablert i 1892, har våre svenske ingeniører vært anerkjent internasjonalt for å konstruere kokeapparater for oppdagere og eventyrere. Det er vår lidenskap for eventyr og tekniske løsninger som har ligget bak suksessen til de nyskapende produktene fra Primus i 130 år. Det er en lidenskap og et kall som fremdeles driver oss.

Uansett hva slags eventyr du har i tankene, ønsker vi å utstyre deg med et funksjonelt og pålitelig kokeapparat som vil stå deg bi hele livet. Derfor tester vi hvert enkelt kokeapparat individuelt for hånd før det forlater vår høyteknologiske fabrikk i Europa. Slik kan vi opprettholde det høye nivået av kvalitet og funksjonalitet som vi krever av produktene våre. Du bør derfor lese denne bruksanvisningen nøye slik at matlagingen kan skje så trygt og morsomt som mulig, og at du får et virkelig velsmakende resultat.

Nyt maten – og nyt friluftslivet!



# NOEN ORD OM SIKKERHET.

Fordi du må håndtere svært brannfarlige stoffer, vil vi gjerne gjøre deg oppmerksom på noen viktige punkter før du begynner.

**NO**

- Viktig: Les denne bruksanvisningen nøye og gjør deg godt kjent med apparatet før du kobler til gassbeholderen. Ta vare på disse instruksjonene for fremtidig referanse.
- Må bare brukes i godt ventilerte områder.
- Kontroller tetningene og tilkoblingene hver gang du bruker apparatet (se avsnittet Før tenning). Ikke bruk apparatet hvis det er skadet eller tetningene er slitt.
- Bytt gassbeholderen utendørs og vekk fra folk. Når du skal kontrollere at gassen strømmer gjennom regulatoren og brennerne, må dette gjøres utendørs og unna naken ild.
- Pass på at apparatet ikke brukes i nærheten av brennbare materialer, gass eller væske.
- Under bruk må avstanden være minst 1250 mm til tak og 500 mm til vegger.
- Ikke gå fra et tent apparat uten tilsyn. Pass alltid på at alt brennbart materiale holdes vekk fra apparatet under bruk.
- Ikke prøv å endre apparatet. Det er mulig å bestille nye deler til apparatet. Følg monteringsinstruksjonene nøye hvis du vil skifte dem ut selv.
- Pass på at alle deler er rene og tørre før du setter bort apparatet. Gassbeholderen må alltid kobles fra apparatet når apparatet settes bort. Oppbevar gassbeholderen på et tørt og sikkert sted og unna direkte sollys og temperaturer over 50 °C.
- Ta vare på denne instruksjonsboken slik at du kan finne den frem igjen når du trenger det.

# FORKLARING AV BILDE

---

## PRODUKTOVERSIKT & PRODUKTINFORMASJON

(SE ILLUSTRATION PÅ FLAPPEN TIL VENSTRE)

- |               |                         |  |
|---------------|-------------------------|--|
| 1 Regulator   | 6 Håndtak               | 10 Gasstilkobling – detaljert bilde    |
| 2 Gassknott   | 7 Brenner               | 11 Håndtakets stilling i åpen posisjon |
| 3 Dryppskål   | 8 Gasspatron            |  |
| 4 Grytestøtte | 9 Gjenger på gasspatron |  |
| 5 Lokk        |                         |  |

---

## TILBEHØR & RESERVEDELER

(SE ILLUSTRATION PÅ FLAPPEN TIL VENSTRE)

- |  |  |
|--|--|
| A Slange med regulator, art.nr. 738026 | D Gasspatroner<br>100 g, art.nr. 220610, 220620, 220630.<br>230 g, art.nr. 220710, 220720, 220730.<br>450 g, art.nr. 220210, 220220. |
| B Adaptere                             |  |
| C Stekeplate, art.nr. 738018           |  |

Sesongbestemte gassvarianter – sommer- og vinterblending – kan også fås som tilbehør.

# GASSAPPARAT MOJA 350170

Dette kokeapparatet er beregnet til bruk med Primus-gass propan/iso-butan/butan i beholdere med betegnelsen 2202xx, 2206xx, 2207xx. (rød Power Gas, grønn Summer Gass eller brun Winter Gas), alternativt en LPG-flaske som passer til adaptere eller selges separat som tilbehør.

- Gassforbruket er 250 g/t/3,5 kW butan under et trykk på 1 bar. (250 g/t/11 000 BTU/t butan under et trykk på 1,45 bar.)
- Den indre diameteren på dysen i apparatets brenner er 0,37 mm.

NO

## KONTROLL AV KOKEAPPARATET.

**VIKTIG:** Hvis det forekommer lekkasje på apparatet (gasslukt), må du straks ta det ut i et godt ventilert sted uten ild hvor lekkasjen kan bli oppdaget og stoppet. Hvis du vil se etter lekkasjer på apparatet, må du gjøre det utendørs. Ikke søk etter lekkasjer ved hjelp av en flamme. Bruk såpevann. Kontakt Primus eller din lokale forhandler hvis du trenger reservedeler. Du finner kontaktinformasjon på baksiden av denne bruksanvisningen.

1. Kjenn etter gasslukt eller lytt etter lyden av gass som lekker fra beholderen **8**. Hvis du ikke er sikker, kan du prøve med litt såpevann på tilkoblingen til gassbeholderen. Hvis du ser bobler, lekker det gass – IKKE TENN APPARATET!

2. Det må være stengt for gassen på apparatet **2** (vri tilførselsknottene med klokken for å lukke dem) før du kobler til gassbeholderen.
3. Kontroller tetningene før du kobler en ny gassbeholder til apparatet. **1** Ikke bruk apparatet hvis det er skadet eller tetningene er slitt.
4. Gjengene på gasspatronen og regulatoren **9** må være intakte. Skift ut gassbeholderen hvis gjengene eller regulatoren er skadet på noen måte. IKKE TENN APPARATET. Bestill en ny slange og regulator – se Tilbehør på sideklaffen. en ny slang med regulator, se tillegg på utviket.
5. Kontroller at den fleksible slangen ikke er bøyd eller presset sammen eller skadet på annen måte. Løft gryteunderlaget **4** og dryppskålen **3** for å sikre at slangen og tilkoblingen er riktig justert. Maksimal lengde for bruk av slange: 2000 mm.

**KLARGJØRE OVNEN. VIKTIG:** Pass på at kokeapparatet står på et stabilt, plant underlag uten brennbare materialer i nærheten. Kontroller at det står støtt! Hvis apparatet velter mens det står kokende gryter på den, risikerer du å bli skåldet.

1. Legg apparatet på siden med håndtaket **6** øverst. Fjern regulatoren **1** og slangen fra sporet på undersiden.
2. Plasser kokeapparatet på en flat overflate.
3. Åpne lokket på apparatet ved å dreie håndtaket i en 90° **11** vinkel. Det er viktig at håndtaket peker rett opp, ellers kan lokket ikke åpnes. Løft lokket opp så langt som mulig.

4. Pannestøtten **4** vender opp ned når apparatet er klart for transport. Vend pannestøtten slik at den grove siden vender opp, mot pannen. Pass på at metallpinnene på kantene sitter i hullene i dryppskålen **3**.
5. Skru gassbeholderen på regulatoren med en sammenhengende bevegelse så langt som mulig **9**. Gjør dette med hendene – IKKE bruk tang eller lignende.
6. Pass på at gassbeholderen er på nivå med toppen av regulatoren **1**. Kontroller at det ikke lekker gass fra koblingen mellom regulatoren og gassbeholderen. Bruk såpevannsom beskrevet i avsnittet Før tenning hvis du er usikker.

## TENNE KOKEAPPARATET. VIKTIG:

Apparatet må UNDER INGEN OMSTENDIGHETER flyttes når det er tent, uansett om det står gryter på det eller ikke. Hvis flammene blir tvunget ned under brenneren på grunn av vinden, må du slå av apparatet og flytte det til et mer skjermet sted.

1. Vri gasstilførselsknotten **2** til brenneren om lag én omdreining mot venstre. Tenn brenneren med en lang fyrstikk, lighter eller liknende.
2. Når gassen er tent, kan du justere flammen og varmen med gasstilførselsknotten. Gassflammen skal brenne jevnt og stå rett opp.
3. Sett gryten eller stekepannen på kokeapparatet etter at gassen er tent.

## **SLÅ AV OVNEN. VIKTIG:** Ikke pakk apparatet sammen før brennerne og pannestøttene er avkjølt. Kontroller at brennerne er slukket før du kobler fra gassbeholderen.

1. Slå av apparatet ved å vri gasstilførselsknettene med klokken til stoppstilling. Når flammen slukker, er ventilen lukket og det er stengt av for gassen. Ikke bruk for mye kraft når du stenger av for gassen, ellers kan du få problemer når du prøver å åpne for gassen neste gang.
2. Når du er helt ferdig med ovnen og brenneren **7** er slått av, skrur du gassbeholderen **8** av regulatoren **1** og plasserer regulatoren i sporet på undersiden av ovnen.
3. Drei på gryteunderlagene, lukk lokket **5**, og vipp håndtaket tilbake **11** i posisjon.

## **VEDLIKEHOLD AV OVNEN. VIKTIG:**

Ovnen holder lenger når den rengjøres og vedlikeholdes jevnlig. Ikke prøv å reparere gjengene eller ventilene på gasspatronene eller kokeapparatet selv. Kontakt Primus hvis kokeapparatet må repareres. Du finner kontaktinformasjon på baksiden av denne bruksanvisningen.

1. Fjern pannestøtten **4**. Løft av dryppskålen **3**. Dryppskålen kan vaskes i oppvaskmaskin og for hånd.
2. Resten av kokeapparatet bør tørkes av med en klut og mildt rengjøringsmiddel, for eksempel oppvaskåpe.

3. Undersøk delene av tre. Smør dem inn med litt olje hvis de har vært våte og nå er tørre.
4. Sett kokeapparatet helt sammen når det er helt tørt. Den dypeste delen av dryppskålen bør være nærmest lokket.

## **VIKTIG INFORMASJON VEDRØRENDE GASSBEHOLDERE.**

**NO**

- Dette apparatet skal bare brukes med enten Primus 100 g, 230 g eller 450 g engangspatroner (merket henholdsvis 2202XX, 2206XX og 2207XX).
- Forskjellige adaptere brukes til forskjellige typer av beholdere som kan fylles på nytt. Du kan få andre adaptere og skifte ut deler på regulatoren selv hvis du følger instruksjonene nøye. Det kan være farlig å forsøke å feste gassbeholdere som ikke er konstruert for kokeapparatet.

# FRIHED TIL AT UDFORSKE.

Lige siden etableringen af Primus i 1892 er vores svenske teknikere blevet anerkendt internationalt for at designe komfurer til opdagelsesrejsende og eventyrere. Det er vores passion for eventyr og tekniske løsninger, der har været årsagen til successen for Primus' nyskabelser i mere end 125 år. Det er en passion og et kald, der stadig holder os tændte.

Uanset hvilket eventyr, du ønsker at starte på, ønsker vi at udstyre dig med et funktionelt og driftsikkert komfur, der vil blive din værd-satte rejsefælle i hele dets levetid. Det er derfor, vi manuelt tester hvert enkelt komfur, inden det forlader vores højteknologiske fabrik i Europa. På denne måde kan vi opretholde det høje kvalitetsniveau og den høje funktionsevne, vi kræver af alle vores produkter. Så læs omhyggeligt denne manual, så du sikrer dig, at din madlavning er lige så sikker, sjov og smagfuld, som den bør være.

Nyd din mad, og nyd udendørslivet!



# NOGLE FÅ ORD OM SIKKERHED.

Da du håndterer meget brændbare stoffer, vil vi gerne henlede din opmærksomhed på nogle få vigtige punkter, inden du starter.

- ▶ Vigtigt: Læs omhyggeligt disse anvisninger om brug for at sætte dig ind i, hvordan apparatet fungerer, inden du slutter det til gasbeholderen. Opbevar disse anvisninger til senere referencebrug.
- ▶ Brug kun apparatet på et godt ventileret område.
- ▶ Kontrollér tætninger og tilslutninger, hver gang du bruger komfuret. (se afsnittet "Inden tænding"). Brug ikke apparatet, hvis tætningerne er beskadigede eller slidte.
- ▶ Skift gasbeholderen udendørs og på afstand af mennesker. Kontrol af gassens strømning gennem regulatoren og brændere skal foretages udendørs og på afstand af åben ild.
- ▶ Sørg for, at komfuret ikke bruges i nærheden af brændbare materialer, gas eller væsker.
- ▶ Under brugen skal afstanden fra tage være mindst 1.250 mm, og afstanden fra vægge skal være mindst 500 mm.
- ▶ Efterlad aldrig et tændt komfur uden opsyn, og sørg altid for, at brændbart materiale holdes på afstand af komfuret, mens det er i brug.
- ▶ Du må ikke foretage ændringer på apparatet. Følg omhyggeligt anvisningerne om montering af reservedele, der kan bestilles, hvis du selv skal udskifte dem.
- ▶ Sørg for, at alle komfurets komponenter er rene og tørre, når det skal opbevares. Gaspatronen må aldrig være tilsluttet komfuret under opbevaring. Opbevar gaspatronen på et tørt og sikkert sted og væk fra direkte sollys eller temperaturer, der overstiger 50 °C.
- ▶ Gem denne instruktionsbog, så du kan vende tilbage til den efter behov.

# BILLEDFORKLARING

---

## PRODUKTOVERSIGT & PRODUKTDETALJER

(SE ILLUSTRATIONER PÅ FLAPPEN TIL VENSTRE)

- |   |           |   |                     |    |                                   |
|---|-----------|---|---------------------|----|-----------------------------------|
| 1 | Regulator | 6 | Håndtag             | 10 | Gaskobling - detaljeret visning   |
| 2 | Gasgreb   | 7 | Brænder             | 11 | Vinkel på håndtag i åben stilling |
| 3 | Drypbakke | 8 | Gaspatron           |    |                                   |
| 4 | Gryderist | 9 | Gevind på gaspatron |    |                                   |
| 5 | Låg       |   |                     |    |                                   |

---

## TILBEHØR & RESERVEDELE

(SE ILLUSTRATIONER PÅ FLAPPEN TIL VENSTRE)

- |   |                                       |   |  |
|---|---------------------------------------|---|--|
| A | Slange inkl. regulator, delnr. 738026 | D | Gaspatron<br>100 g, delnr. 220610, 220620, 220630.<br>230 g, delnr. 220710, 220720, 220730.<br>450 g, delnr. 220210, 220220. |
| B | Adaptere                              |   |  |
| C | Pandeplade, delnr. 738018             |   |  |

Årstidsbestemte gasvarianter - sommer og vinter -  
fås også som tilbehør.

# BRUG AF GAS MOJA 350170

Dette kogeapparat er beregnet til brug med Primus gas/propan/isobutan/butan i patroner med betegnelsen 2202xx, 2206xx, 2207xx. (Rød powergas, grøn sommergas eller brun vintergas). Alternativt en flaske-gascylinder, der passer til adaptore solgt separat som et tilbehør.

- ▶ Gasforbrug er 250 g/t/3,5 kW butan ved tryk på 1 bar. Eller 250 g/t/1.000 BTU/t butan under tryk på 1,45 bar.
- ▶ Diameteren på boringen i dysen på komfurets brænder er 0,37 mm.

DK

## KONTROL AF APPARATET. VIKTIGT:

Hvis dit apparat har en lækage (lugt af gas), så tag det med udenfor med det samme til et godt ventileret og flammefrit område, hvor lækagen kan registreres og stoppes. Hvis du ønsker at kontrollere dit apparat for lækager, skal de foregå udendørs. Forsøg ikke at registrere lækager ved hjælp af en flamme, men brug i stedet for sæbevand. Kontakt Primus eller den lokale forhandler med henblik på udskiftningsdele. Du kan finde kontaktoplysninger på bagsiden af denne instruktionsbog.

1. Lugt eller lyt efter gaslækager fra gaspatronen **8**. Hvis du ikke er sikker, kan du komme noget sæbevand på tilslutningen til gaspatronen. Hvis du kan se bobler, er der en gaslækage - LAD VÆRE MED AT TÆNDE apparatet!

- Gasreguleringsgrebene **2** på apparatet skal være lukkede (drej med uret for at lukke) inden tilslutning af gaspatronen.
- Kontrollera packningen i regulatorm. **1** Den får inte vara skadad, torr eller sprucken.
- Gevindene på gaspatronen og regulatoren **9** skal være intakte. Hvis de er beskadigede på nogen måde, skal gaspatronen udskiftet. Hvis regulatoren er beskadiget, MÅ APPARATET IKKE BRUGES. Bestil en ny slange og regulator - se Tilbehør på sideflappen.
- Undersøg slangen (så den hverken er knækket eller klemt. Undgå at vride den fleksible slange) for at sikre, at den ikke er beskadiget. Løft gryderisten **4** og drypbakken **3** for at sikre, at slangen og stikforbindelsen er korrekt justeret. Maksimum slangelængde, der må anvendes: 2 meter.

**KLARGØR APPARATET.** **VIKTIGT:** Sørg for at sikre, at apparatets er stående på en stabil, plan overflade uden brændbart materiale i nærheden. Kontrollér, at det er stabilt! Hvis du vipper apparatet, mens der er gryder på det, risikerer du at blive skoldet af varme væsker.

- Læg apparatet på siden med håndtaget vendende **6** opad. Fjern regulator **1** og slange fra slidsen på undersiden.
- Anbring apparatet på en plan overflade.
- Åbn låget på apparatet ved at anbringe håndtaget i en vinkel på 90 ° **11**. Det er vigtigt, at håndtaget peger lige op. Ellers kan låget ikke åbnes. Løft låget så meget som mulig.
- I transporttilstand vender gryderisten på hovedet **4**. Drej gryderisten, så de grove sider er øverst op mod gryden. Sørg for, at metalstiverne på kanterne sidder i hullerne i drypbakken dropp **3**.

5. Fastgør gaspatronen til regulatoren ved at skrue den på så langt, som det er muligt. **10** Gør dette manuelt - BRUG IKKE en tang eller tilsvarende .
6. Sørg for, at gaspatronen er på højde med regulatoren **1** opad. Kontrollér, at der ikke siver gas ud fra tilslutningen mellem regulatoren og gaspatronen. Brug sæbevand som omtalt i afsnittet "Inden tænding", hvis du er i tvivl.

## TÆNDING AF KOGEAPPARATET.

**VIKTIGT:** Apparatet MÅ UNDER INGEN OMSTÆNDIGHEDER FLYTTES, mens det er tændt enten med eller uden gryder. Hvis flammerne på grund af vinden bliver tvunget ned under brænderen, skal der slukkes for apparatet, og det skal flyttes til en mere beskyttet placering.

1. Drej gasforsyningsgrebet for den brænderen **2** ca en omdrejning mod uret, og tænd brænderen med en lang tændstik, et fyrtoj eller lignende.
2. Når gassen er blevet tændt, kan man justere flammen og varmetilførslen med forsyningsgrebet. Gassen skal brænde lige opad med en stabil flamme.
3. Anbring gryden eller stegepanden på apparatet efter at have tændt for gassen.

# SLUKNING AF KOGEAPPARATET.

**VIKTIGT:** Pak ikke komfuret sammen, før brænderne og gryderistene er kølet af. Kontrollér, at brænderne er slukket inden frakobling af gasbeholderen.

1. Sluk apparatet ved at dreje gasforsyningsgrebene med uret til stoppositionen. Ventilen bliver lukket, og gasstrømningen bliver stoppet, når flammen går ud. Brug ikke for mange kræfter ved lukning af gasforsyningen. Der kan være risiko for, at der opstår problemer, næste gang du forsøger at tænde for gasforsyningen.
2. Når du er helt færdig med apparatet, og der er blevet slukket for brænderen **7** skal gaspatronen **8** skrues af regulatoren **1** og regulatoren skal anbringes i slidsen på undersiden af apparatet.
3. Drej gryderistene, luk låget **5** låget og vip håndtaget tilbage **11** til stillingen.

# VEDLIGEHODELSE AF KOGEAPPARATET.

**VIKTIGT:** Regelmæssig rengøring og eftersyn vil forlænge levetiden for dit apparat. Forsøg ikke selv at reparere skruegevind eller ventiler på gaspatronerne eller regulatoren. Hvis der er brug for at reparere apparatet, så kontakt Primus. Du kan finde kontaktoplysninger på bagsiden af denne instruktionsbog.

1. Fjern gryderisten **4**. Løft drypbakken af **3**. Drypbakken kan rengøres både i en opvaskemaskine og manuelt.

2. Den resterende del af apparatet skal tørres ren med en klud og et mildt rengøringsmiddel, f.eks. et opvaskemiddel.
3. Undersøg trædelene. Hvis de har været våde og nu er tørret, skal de gives en let påføring af olie.
4. Saml komfuret fuldstændigt igen, når det er helt tørt. Den dybeste del af drypbakken skal være tættest på låget.

## VIGTIGE OPLYSNINGER OM GASPATRONER.

DK

- Dette apparat må kun bruges sammen med enten Primus-engangspatroner med 100 g, 230 g eller 450 g (afmærket henholdsvis 2202xx, 2206xx og 2207xx).
- Der bruges forskellige adaptere til forskellige typer genopfyldelige patroner. Du kan få andre adaptere og selv udskifte regulatorkomponenter, hvis du følger den medfølgende brugsanvisning. Forsøg på at tilslutte gaspatroner, der ikke er konstrueret til apparatet, kan være farligt.

# DE VRIJHEID OM TE ONTDEKKEN.

Vanaf de oprichting van Primus in 1892 worden onze Zweedse ingenieurs internationaal geroemd om hun fornuizen voor ontdekkers en avonturiers. Dat we al 130 jaar succesvolle innovaties introduceren, heeft alles te maken met onze oprechte passie voor avontuur en technische oplossingen: het is die passie en een roeping waarvoor we nog steeds in vuur en vlam staan.

Welk avontuur u ook zoekt, we willen u een functioneel en betrouwbaar fornuis bieden dat uw leven lang een waardevolle kameraad zal blijven. Daarom testen we elk fornuis eigenhandig voor het onze hoogwaardige fabriek in Europa verlaat. Want alleen door de fornuizen zelf te testen, kunnen we de hoge kwaliteit en functionaliteit handhaven waar onze producten om bekend staan. Lees deze handleiding zorgvuldig door om te zorgen dat u veiliger, plezieriger en smakelijker kookt dan ooit.

Geniet van uw voeding - en het buitenleven!



# EERST EVEN OVER DE VEILIGHEID.

Dit fornuis werkt met uiterst ontvlambare stoffen. Daarom willen we u op een paar belangrijke aandachtspunten wijzen voor u aan de slag gaat.

- ▶ Belangrijk: lees deze gebruiksaanwijzing zorgvuldig door voordat u het apparaat aansluit op de gas-cartridge. Bewaar deze gebruiksaanwijzing zodat u hem in de toekomst nog eens kunt doorlezen.
- ▶ Gebruik het fornuis alleen in een goed geventileerde omgeving.
- ▶ Controleer de afdichtingen en aansluitingen wanneer u het fornuis gebruikt. Raadpleeg 'Voordat u het gas aansteekt' voor meer informatie. Gebruik het fornuis niet wanneer het beschadigd is of wanneer de afdichting is versleten!
- ▶ Vervang de gasfles buiten en zorg dat er geen mensen in de buurt zijn. Controleer buiten en uit de buurt van open vuur of de gasstroming door de regelaar en de branders.
- ▶ Gebruik het fornuis niet in de buurt van brandbare materialen, gaspen of vloeistoffen. Gebruik het fornuis minimaal 1250 mm vanaf het dak en minimaal 500 mm vanaf de muur.
- ▶ Laat een ingeschakeld fornuis nooit onbewaakt achter en zorg dat er geen ontvlambare materialen in de buurt zijn.
- ▶ Pas het apparaat niet aan. Volg zorgvuldig de instructies voor het toepassen van reserveonderdelen wanneer u de onderdelen zelf vervangt.
- ▶ Zorg dat alle onderdelen van het fornuis schoon en droog zijn voor u het fornuis opbergt. Maak de gaspatroon altijd los van het fornuis voordat u het fornuis opbergt. Bewaar de gaspatroon op een veilige en droge plaats, buiten het bereik van direct zonlicht en temperaturen die hoger zijn dan 50 °C.
- ▶ Bewaar deze gebruiksaanwijzing, zodat u hem nog eens kunt nalezen.

# UITLEG BIJ DE AFBEELDING

---

## PRODUCTOVERZICHT & PRODUCTINFORMATIE

(ZIE DE AFBEELDING OP DE FLAP LINKS)

- |              |                                    |   |
|--------------|------------------------------------|---|
| 1 Regelaar   | 6 Handgreep                        | 10 Gaskoppeling - detailweergave                    |
| 2 Gasknop    | 7 Brander                          | 11 De hoek van de handgreep wanneer deze is geopend |
| 3 Druppelbak | 8 Gascartridge                     |   |
| 4 Panhouder  | 9 Schroefdraad van de gascartridge |   |
| 5 Deksel     |                                    |   |

---

## TOEBEHOREN & RESERVEONDERDELEN

(ZIE DE AFBEELDING OP DE FLAP LINKS)

- |   |  |
|---|--|
| A Slang, incl. regelaar, onderdeel 738026 | D Gascartridge<br>100 g, onderdeel 220610, 220620, 220630.<br>230 g, onderdeel 220710, 220720, 220730.<br>450 g, onderdeel 220210, 220220. |
| B Adapter                                 |  |
| C Grillplaat, onderdeel 738018            |  |

U kunt eventueel ook verschillende soorten gascartridges voor in de zomer of winter bestellen.

# GASGEBRUIK MOJA 350170

Dit fornuis is bedoeld om te worden gebruikt met gascartridges van Primus met propaan/isobutaan/butaan. Geschikte gascartridges zijn: 2202xx, 2206xx, 2207xx (rode 'Power Gas'-cartridges, groene 'Summer Gas'-cartridges of bruine 'Winter Gas'-cartridges). Eventueel kunt u een LPG-gasfles gebruiken die kan worden aangesloten met behulp van een adapter. Deze adapter kan los worden gekocht.

- ▶ Het fornuis gebruikt 250 gram gas per uur/3,5 kW butaan onder een druk van 1 bar. of 250 gram/ uur/11.000 BTU/uur butaan onder een druk van 1,45 bar.
- ▶ De gaspits in de brander van het fornuis heeft een diameter van 0,37 mm.

NL

## HET FORNUIS CONTROLEREN.

**BELANGRIJK:** verplaats het fornuis direct naar een goed geventileerde omgeving zonder open vuur wanneer u merkt dat het apparaat lekt (als u een gaslucht ruikt). Zoek daar het lek op en sluit het af. Controleer het apparaat altijd buiten op gaslekken. Probeer gaslekken niet op te sporen met behulp van vuur, maar gebruik zeepwater. U kunt reserveonderdelen bestellen bij Primus of bij uw lokale dealer. U vindt de contactgegevens op de achterzijde van deze gebruiksaanwijzing.

1. Ruik of luister of er gas uit de gascartridge lekt. **8** Gebruik bij twijfel wat zeepwater en plaats dit op de aansluiting met de gascartridge. Er is sprake van een gaslek wanneer u belletjes ziet. Steek het fornuis in dat geval NIET aan!

2. Sluit de gasregelknoppen **2** door ze naar rechts te draaien voordat u de gascartridge aansluit.
3. Controleer de afdichtingen voordat u een nieuwe gascartridge op het apparaat aansluit. **1** Gebruik het fornuis niet wanneer het beschadigd is of wanneer de afdichtingen zijn versleten.
4. Het schroefdraad van de gascartridge en van de regelaar **9** moet intact zijn. Vervang de gascartridge wanneer het schroefdraad beschadigd of scheef is. Gebruik het fornuis NIET wanneer de regelaar is beschadigd. Bestel een nieuwe slang en regelaar. U vindt de gegevens onder 'Toebehooren' op de zijflap.
5. Controleer of de slang geen knik bevat of geplet is en of er geen sprake is van beschadigingen. Voorkom dat u de flexibele slang draait. Til de panhouder **4** en het rekje op **3** om te controleren of de slang en aansluiting goed zijn afgesteld. De slang mag maximaal 2 m lang zijn.

## HET FORNUIS KLAARMAKEN VOOR GEBRUIK. **BELANGRIJK:** zorg dat het fornuis

is staande op een stabiele, gelijkmatige ondergrond buiten het bereik van brandbare materialen staat. Controleer of het fornuis stabiel staat! U kunt hete vloeistoffen over u heen krijgen wanneer het fornuis kantelt terwijl er pannen op staan.

1. Plaats het fornuis op zijn kant en zorg dat de handgreep **6** zich aan de bovenkant bevindt. Verwijder de regelaar **1** en slang uit de opbergruimte aan de onderkant.
2. Plaats het fornuis op een vlakke ondergrond.
3. Open het deksel van het fornuis door de handgreep 90° te draaien **11**. U kunt het deksel alleen openen wanneer de handgreep helemaal rechtop staat. Til het deksel zo ver mogelijk op.

4. Wanneer het fornuis is ingeklapt **4** bevindt de panhouder zich ondersteboven. Draai de panhouder zo dat de ruwe zijden zich aan de bovenkant, in de richting van de pan, bevinden. Zorg dat de metalen pennetjes aan de randen in de gaten van het rekje vallen **3**.
5. Bevestig de gascartridge aan de regelaar door de cartridge zo ver mogelijk vast te draaien. **9** Doe dit handmatig en gebruik GEEN tang of ander gereedschap.
6. Controleer of de gascartridge waterpas is met de regelaar erboven **1**. Controleer of er geen gas uit de aansluiting tussen de regelaar en de gascartridge lekt. Gebruik bij twijfel zeepwater; raadpleeg 'Voordat u het gas aansteekt' voor meer informatie.

## HET FORNUIS AANSTEKEN.

NL

**BELANGRIJK:** verplaats het fornuis NOOIT wanneer het is aangestoken, ook niet als er geen pannen op staan. Schakel het fornuis uit en verplaats het naar een beschutte omgeving wanneer het vuur door de wind dooft.

1. Draai de gasknop **2** ongeveer één slag naar links. Steek de brander daarna aan met een lange lucifer of met een aansteker of iets dergelijks.
2. Wanneer het gas brandt, kunt u de vlam en hitte aanpassen via de gasknop. De vlam moet recht naar boven branden en mag niet flakkeren.
3. Plaats de pan op het fornuis wanneer het gas brandt.

# HET FORNUIS UITSCHAKELLEN.

**BELANGRIJK:** pak het fornuis niet op voordat de branders en panhouders zijn afgekoeld. Controleer of de branders uit zijn voordat u de gascartridge verwijdert.

1. Schakel het fornuis uit door de gasknoppen helemaal naar links te draaien. De klep wordt nu gesloten en de gasstroom wordt geblokkeerd, waardoor de vlam dooft. Draai de gasknop niet met kracht uit: daardoor kunt u hem wellicht de volgende keer moeilijk inschakelen.
2. Wacht tot de brander helemaal zijn uitgeschakeld **7**. Ontkoppel daarna de gascartridge **8** van de regelaar **1**. Plaats de regelaar vervolgens in de opbergruimte aan de onderkant van het fornuis.
3. Draai de panhouders, sluit het deksel **5** en kantel de handgreep terug **11**.

# ONDERHOUD AAN HET FORNUIS UITVOEREN.

**BELANGRIJK:** het fornuis gaat langer mee wanneer u het regelmatig schoonmaakt en onderhoudt. Probeer niet zelf schroefdraad of kleppen van de gascartridges of van de regelaar te repareren. Neem contact op met Primus wanneer het fornuis gerepareerd moet worden. U vindt de contactgegevens op de achterzijde van deze gebruiksaanwijzing.

1. Verwijder de panhouder **4**. Verwijder het rek **3**. U kunt het rek met de hand en in de vaatwasser wassen.

2. Maak de rest van het fornuis schoon met een doek en een mild schoonmaakmiddel.
3. Controleer de houten onderdelen. Behandel ze met olie wanneer ze nat zijn geweest en zijn opgedroogd.
4. Zet het fornuis weer helemaal in elkaar als het is opgedroogd. Het diepste deel van het rek moet zich het dichtst bij het deksel bevinden.

## **BELANGRIJKE INFORMATIE OVER DE GASCARTRIDGES**

- Gebruik dit apparaat alleen in combinatie met gascartridges van Primus voor eenmalig gebruik met een inhoud van 100 gram, 230 gram of 450 gram (productnummer 2202XX, 2206XX en 2207XX).
- Er worden verschillende adapters gebruikt voor de verschillende soorten cartridges. U kunt andere adapters open en de onderdelen van de regelaar zelf vervangen. Volg de meegeleverde instructies zorgvuldig. Er kunnen gevaarlijke situaties ontstaan wanneer u gascartridges probeert aan te sluiten die niet voor dit fornuis zijn bedoeld.

# LIBERTAD PARA EXPLORAR.

Desde la fundación de Primus en 1892, nuestros ingenieros suecos han sido reconocidos a nivel internacional por el diseño de hornillos para exploradores y aventureros. Nuestra auténtica pasión por la aventura y las soluciones técnicas es la razón del éxito de las innovaciones Primus desde hace 130 años. Se trata de una pasión y una vocación que todavía nos tienen encandilados.

No importa el nivel de la aventura que desee emprender, queremos equiparle con un hornillo funcional y fiable que se convertirá en su valioso compañero para la vida. Es por ello que probamos cada hornillo, de forma individual y a mano, antes de que salga de nuestra fábrica de alta tecnología en Europa. De esta manera, podemos mantener el alto nivel de calidad y funcionalidad que exigimos a nuestros productos. Por lo tanto, lea atentamente este manual y asegúrese de que su hornillo sea tan seguro, divertido y capaz de preparar alimentos sabrosos como debería ser.

¡Disfrute de la comida! ¡Disfrute de la vida al aire libre!



# UNAS PALABRAS SOBRE SEGURIDAD.

Como va a manejar sustancias altamente inflamables, nos gustaría llamar su atención sobre varios puntos importantes antes de empezar.

- Importante: lea estas instrucciones de uso a fin de familiarizarse con el aparato antes de conectarlo al cartucho de gas. Guarde estas instrucciones para futuras consultas.
- Úselo solo en zonas con buena ventilación.
- Compruebe las juntas y las conexiones cada vez que utilice el hornillo. (consulte la sección “Antes del encendido”). No utilice el aparato si tiene las juntas deterioradas o desgastadas.
- Cambie el cartucho de gas en espacios abiertos y lejos de la gente. La comprobación de que el gas fluye a través de los quemadores se debe hacer al aire libre y lejos de cualquier llama desnuda.
- Asegúrese de que el hornillo no se utilice cerca de materiales, gases ni fluidos combustibles. Cuando lo utilice, la distancia mínima al techo debe ser de 1250 mm y de 500 mm a la pared.
- Nunca deje un hornillo encendido sin vigilancia y asegúrese siempre de mantenerlo alejado de materiales inflamables durante el uso.
- No modifique el aparato. Siga cuidadosamente las instrucciones de montaje de las piezas de repuesto que pueda pedir, si las va a reemplazar por su cuenta.
- Cuando vaya a guardar el hornillo, asegúrese de que todos sus componentes estén limpios y secos. El cartucho de gas nunca debe estar unido al hornillo cuando lo guarde. Guarde el cartucho de gas en un lugar seco y seguro, no expuesto a la luz solar directa ni a temperaturas superiores a 50 °C.
- Guarde este manual de instrucciones para que pueda consultarlo cuando lo necesite.

# EXPLICACIÓN DE LA IMAGEN

---

## RESUMEN DEL PRODUCTO & DETALLES DEL PRODUCTO

(CONSULTE LA ILUSTRACIÓN EN LA SOLAPA DE LA IZQUIERDA)

- 1 Regulador
- 2 Pomo del gas
- 3 Bandeja de goteo
- 4 Soporte para cazuelas
- 5 Tapa
- 6 Asa
- 7 Quemador
- 8 Cartucho de gas
- 9 Roscas en el cartucho de gas
- 10 Acoplamiento del gas – vista detallada
- 11 Ángulo del asa en posición abierta

---

## ACCESORIOS & PIEZAS DE REPUESTO

(CONSULTE LA ILUSTRACIÓN EN LA SOLAPA DE LA IZQUIERDA)

- A Manguera con regulador incluido, n.º de pieza 738026
- B Adaptadores
- C Parrilla, n.º de pieza 738018
- D Cartucho de gas de  
100 g, n.º 220610, 220620, 220630.  
230 g, n.º 220710, 220720, 220730.  
450 g, n.º 220210, 220220.

Versiones de gas de temporada (verano e invierno)  
también disponibles como accesorios

# UTILIZACIÓN DEL GAS EN EL MOJA 350170

Este hornillo está previsto para su uso con gas propano, isobutano o butano de Primus en cartuchos con las denominaciones 2202xx, 2206xx y 2207xx. (Rojo: Power Gas; verde: gas de verano; marrón: gas de invierno). Alternativamente, se puede usar una bombona de GLP que encaje en los adaptadores que se venden por separado como accesorio.

- El consumo de gas es de 250 g/h/3,5 kW de butano a 1 bar de presión. O de 250 g/h/11 000 BTU/h de butano a una presión de 1,45 bares.
- El diámetro del orificio en la boquilla del quemador del hornillo es de 0,37 mm.

ES

## COMPROBACIÓN DEL HORNILLO.

**IMPORTANTE:** si hay una fuga en el aparato (olor a gas), sáquelo de inmediato a una zona exterior con buena ventilación y sin llamas donde la fuga se pueda detectar y detener. Si desea comprobar si hay fugas en el aparato, hágalo en exteriores. No intente detectar fugas utilizando una llama. Utilice agua jabonosa. Póngase en contacto con Primus o con su distribuidor local para obtener piezas de repuesto. Encontrará la información de contacto en la última página de este folleto de instrucciones.

1. Huela o escuche para averiguar si hay fugas procedentes del cartucho de gas **8**. Si no está seguro, puede comprobarlo poniendo un poco de agua jabonosa en la conexión con el cartucho de gas. Si ve burbujas, hay una fuga de gas: ¡NO ENCIENDA EL HORNILLO!

2. Los pomos de control del gas **2** del hornillo deben estar cerrados (gire hacia la derecha para cerrarlos) antes de conectar el cartucho de gas.
3. Revise las juntas antes de conectar un nuevo cartucho de gas al aparato. **1** No utilice el aparato si tiene las juntas deterioradas o desgastadas.
4. Las roscas del cartucho de gas y del regulador **9** sdeben estar intactas. Si observa cualquier tipo de deterioro, sustituya el cartucho de gas. En caso de que el regulador esté deteriorado, NO USE el hornillo. Pida una manguera con regulador nueva: consulte la sección de Accesorios en la solapa lateral.
5. Inspeccione la manguera (compruebe que no esté doblada ni aplastada. Evite retorcer la manguera flexible) para comprobar que no esté deteriorada. Levante el soporte para cazuelas **4** cazuelas y la bandeja de goteo **3** fpara asegurarse de que la manguera y el conector estén ajustados correctamente. La manguera no debe medir más de 2000 mm de largo.

## PREPARACIÓN DEL HORNILLO.

**IMPORTANTE:** asegúrese de que el hornillo esté apoyado sobre una superficie plana y estable, sin material combustible cerca. ¡Compruebe su estabilidad! Si vuelca el hornillo con recipientes encima, corre el riesgo de quemarse con los líquidos calientes.

1. Coloque el hornillo de costado, con el asa hacia arriba **6**. Retire el regulador **1** y la manguera de la ranura en la parte inferior.
2. Coloque el hornillo sobre una superficie plana.
3. Abra la tapa del hornillo colocando el asa en un ángulo de 90 grados **11**. Es importante que el asa

esté recta hacia arriba ya que, de lo contrario, no se podrá abrir la tapa. Levante la tapa en todo su recorrido.

4. En el modo de transporte, el soporte de cazuelas **4** va colocado boca abajo. Gire el soporte de cazuelas de manera que los lados rugosos estén hacia arriba, hacia la cazuela. Asegúrese de que las patillas de metal en los bordes encajen en los orificios de la bandeja de goteo **3**.
5. Acople el cartucho de gas al regulador enroscándolo todo lo que pueda con un movimiento continuo y firme. **10** Hágalo manualmente: NO UTILICE alicates ni similares.
6. Asegúrese de que el cartucho de gas esté nivelado con el regulador hacia arriba **1**. Compruebe que no haya fugas de gas en la conexión entre el regulador y el cartucho de gas. Use agua jabonosa como se indica en la sección "Antes del encendido" si no está seguro.

## ENCENDIDO DEL HORNILLO.

ES

**IMPORTANTE:** EN NINGÚN CASO mueva el hornillo cuando esté encendido, ya sea con o sin ollas. Si, debido al viento, las llamas están forzadas por debajo del quemador, apague el hornillo y trasládalo a un lugar más protegido.

1. Gire el pomo de suministro de gas **2** del quemador aproximadamente una vuelta hacia la izquierda y encienda el quemador con una cerilla larga, un mechero o similar.
2. Una vez que el gas haya prendido, puede ajustar la llama y el suministro de calor con el pomo de suministro. El gas debe quemarse directamente hacia arriba con una llama estable.
3. Coloque la olla o sartén en el hornillo una vez que el gas haya prendido.

# APAGADO DEL HORNILLO.

**IMPORTANTE:** no guarde el hornillo hasta que los quemadores y los soportes para cazuelas se hayan enfriado. Compruebe que no haya llama en los quemadores antes de desconectar el cartucho de gas.

1. Apague el hornillo girando los pomos de suministro de gas hacia la derecha hasta la posición de apagado. La válvula se cierra y el flujo de gas se detiene cuando la llama se apaga. No haga una fuerza excesiva para cortar el suministro; puede correr el riesgo de tener problemas al intentar abrir el suministro la próxima vez.
2. Cuando haya terminado de usar el hornillo completamente y el quemador está apagado **7**, desenrosque el cartucho de gas **8** del regulador **1** y coloque el regulador en la ranura de la parte inferior del hornillo.
3. Gire los soportes para cazuelas, cierre la tapa **5** e incline el asa de vuelta **11** a su posición.

# MANTENIMIENTO DEL HORNILLO.

**IMPORTANTE:** la limpieza y la revisión periódicas prolongarán la vida de su hornillo. No intente reparar las roscas o válvulas de los cartuchos de gas ni el regulador por su cuenta. Si fuera necesario reparar el hornillo, póngase en contacto con Primus. Encontrará la información de contacto en la última página de este folleto de instrucciones.

1. Retire el soporte para cazuelas **4**. Extraiga la bandeja de goteo **3**. La bandeja de goteo se puede lavar en el lavavajillas o a mano.
2. El resto del hornillo se debe limpiar con un paño y un limpiador suave, por ejemplo, detergente lavavajillas líquido.
3. Examine las piezas de madera. Si se han mojado y ya están secas, aplíquelas un poco de aceite.
4. Vuelva a montar todo el hornillo cuando las piezas estén totalmente secas. La parte más honda de la bandeja de goteo debe estar cerca de la tapa.

## **INFORMACIÓN IMPORTANTE RELATIVA A LOS CARTUCHOS DE GAS.**

**ES**

- Este aparato solo se debe utilizar con cartuchos Primus de 100 g, 230 g o 450 g y de un solo uso (denominados 2202xx, 2206xx y 2207xx respectivamente).
- Se requieren adaptadores diferentes para los distintos tipos de cartuchos recargables. Puede obtener otros adaptadores y reemplazar los componentes del regulador por su cuenta si sigue cuidadosamente las instrucciones que vienen con ellos. El intento de acoplar cartuchos de gas que no estén diseñados para el hornillo puede resultar peligroso.

# LIBERTÀ DI ESPLORARE.

Fin dalla fondazione di Primus nel 1892, i nostri ingegneri svedesi sono riconosciuti a livello internazionale per il design di fornelli per esploratori e amanti dell'avventura. La nostra genuina passione per l'avventura e per le soluzioni tecniche è il motivo del successo delle innovazioni di Primus per 130 anni. È una passione e una vocazione che ancora ci anima.

Non importa il livello dell'avventura che si desidera affrontare: noi desideriamo fornire un fornello funzionale e affidabile che sarà un prezioso compagno per tutta la vita. È per questo che testiamo individualmente e manualmente ogni fornello prima che esca dal nostro stabilimento hi-tech in Europa. In questo modo siamo in grado di mantenere l'elevato livello di qualità e funzionalità che richiediamo ai nostri prodotti. Quindi, si prega di leggere attentamente questo manuale per assicurarsi che la propria cucina sia sicura, divertente e gustosa come dovrebbe essere.

Buon appetito e ben divertimento all'aria aperta!



# BREVI CENNI SULLA SICUREZZA.

Poiché si ha a che fare con sostanze altamente infiammabili, vorremmo mettere in evidenza alcuni aspetti importanti prima di iniziare.

- ▶ **Importante:** leggere attentamente queste istruzioni per acquisire familiarità con lo strumento prima di collegarlo alla bomboletta del gas. Conservare queste istruzioni per consultarle in futuro.
- ▶ Usare solo in zone ben ventilate.
- ▶ Controllare le guarnizioni e le connessioni ogni volta che si usa il fornello (vedere la sezione "Prima dell'accensione"). Non usare l'apparecchiatura se le guarnizioni sono danneggiate o usurate!
- ▶ Sostituire la bomboletta del gas all'aperto e lontano da altre persone. Il controllo del flusso del gas attraverso il regolatore e i bruciatori deve essere effettuato all'aperto e lontano da fiamme libere.
- ▶ Assicurarsi che il fornello non venga usato vicino a materiali, gas o fluidi combustibili. Quando viene usato, è necessario osservare una distanza di almeno 1250 mm dal soffitto e 500 mm dalla parete.
- ▶ Non lasciare mai incustodito un fornello acceso e assicurarsi sempre che il materiale infiammabile venga tenuto lontano quando il fornello è acceso.
- ▶ Non modificare l'apparecchiatura. Seguire attentamente le istruzioni per il montaggio delle parti di ricambio ordinabili, se si effettua la sostituzione autonomamente.
- ▶ Se si prevede di non usare il fornello per un periodo di tempo prolungato, assicurarsi che tutti i componenti siano puliti e asciutti. La cartuccia del gas non deve mai essere collegata al fornello quando questo viene riposto. Conservare la cartuccia in un luogo asciutto e sicuro, al riparo dalla luce solare o da temperature superiori a 50°C.
- ▶ Conservare queste istruzioni in modo da poterle consultare quando necessario.

# SPIEGAZIONE DELL'IMMAGINE

---

## PANORAMICA DEL PRODOTTO & DETTAGLI DEL PRODOTTO

(VEDERE L'ILLUSTRAZIONE SUL PIEGHEVOLE A SINISTRA)

- 1 Regolatore
- 2 Manopola del gas
- 3 Vassoio di gocciolamento
- 4 Supporto per le pentole
- 5 Coperchio
- 6 Maniglia
- 7 Bruciatore
- 8 Cartuccia del gas
- 9 Filettature sulla cartuccia del gas
- 10 Accoppiamento del gas – vista dettagliata
- 11 Angolo della maniglia in posizione aperta

---

## ACCESSORI & RICAMBI

(VEDERE L'ILLUSTRAZIONE SUL PIEGHEVOLE A SINISTRA)

- A Tubo con regolatore, codice 738026
- B Adattatori
- C Bistecchiera, codice 738018
- D Cartuccia gas:  
100 g, codice 220610, 220620, 220630.  
230 g, codice 220710, 220720, 220730.  
450 g, codice 220210, 220220.

Sono disponibili come accessori anche varianti stagionali (estive e invernali) del gas.

# UTILIZZO DEL GAS, MOJA 350170

Questo fornello è destinato all'uso con gas propano/isobutano/butano Primus in cartucce con indicazione 2202xx, 2206xx, 2207xx. (Power Gas rossa, Summer Gas verde o Winter Gas marrone.) In alternativa, usare una bombola di GPL compatibile con gli adattatori, venduta separatamente come accessorio.

- Il consumo di gas è 250 g/h/3,5 kW di butano a una pressione di 1 bar. Oppure 250 g/h/11.000 BTU/h di butano a una pressione di 1,45 bar.
- Il diametro del foro nell'ugello del bruciatore del fornello è di 0,37 mm.

## CONTROLLO DEL FORNELLO.

**IMPORTANTE:** in caso di perdita nell'apparecchiatura (odore di gas), portare immediatamente il fornello all'aperto, in un'area ben ventilata e priva di fiamme dove sia possibile rilevare e fermare la perdita. Controllare sempre all'aperto la presenza di perdite nell'apparecchiatura. Non tentare di rilevare le perdite utilizzando una fiamma, usare acqua e sapone. Contattare Primus o il rivenditore locale per i ricambi. Le informazioni di contatto sono disponibili sul retro di questo foglietto illustrativo.

1. Usare l'olfatto o l'udito per cercare eventuali perdite di gas dalla cartuccia. **8** Se non si è sicuri, è possibile eseguire un controllo applicando acqua saponata sul collegamento della cartuccia. Se si formano delle bolle, c'è una perdita: **NON ACCENDERE** il fornello!

2. Le manopole di controllo del gas del fornello 2 devono essere chiuse (ruotare in senso orario) prima di collegare la cartuccia.
3. Controllare le guarnizioni prima di collegare una nuova bombola all'apparecchiatura. 1 Non usare l'apparecchiatura se le guarnizioni sono danneggiate o usurate.
4. Le filettature della cartuccia e del regolatore 9 devono essere intatte; se sono danneggiate in qualsiasi modo o usurate, sostituire la cartuccia; se il regolatore è danneggiato, NON USARE il fornello. Ordinare un nuovo tubo e un nuovo regolatore (vedere Accessori sul lembo laterale).
5. Controllare che il tubo non sia attorcigliato o schiacciato (evitare di torcere il tubo flessibile) e assicurarsi che non sia danneggiato. Sollevare il supporto per le pentole 4 e il vassoio di gocciolamento 3 per assicurarsi che il tubo e il connettore siano posizionati correttamente. Lunghezza massima consigliata del tubo: 2 m.

## PREPARAZIONE DEL FORNELLO.

**IMPORTANTE:** controllare che il fornello sia posizionato su una superficie piana e stabile, lontano da materiale combustibile. Controllare la stabilità dell'apparecchiatura! Se il fornello viene ribaltato quando sono presenti pentole su di esso, sussiste un rischio di ustione causato da liquidi bollenti.

1. Posizionare il fornello su un lato con la maniglia rivolta verso l'alto. 6 uRimuovere il regolatore 1 e il tubo dall'alloggiamento sul lato inferiore.
2. Posizionare il fornello su una superficie piana.

3. Aprire il coperchio del fornello posizionando la maniglia a 90° **11**. È importante che la maniglia sia posizionata in maniera perpendicolare, altrimenti non è possibile aprire il coperchio. Sollevare il coperchio fino al punto di arresto.
4. Nella modalità di trasporto **4** il supporto per le pentole è capovolto. Ruotare il supporto in modo che i lati ruvidi siano rivolti verso l'alto, verso la pentola. Assicurarsi che i perni di metallo sui bordi siano alloggiati nei fori del vassoio di gocciolamento **3**.
5. Collegare la cartuccia del gas al regolatore avvitandola con un movimento continuo e definito fino a fine corsa. **9** Eseguire questa operazione manualmente, NON usare pinze o strumenti simili.
6. Assicurarsi che la cartuccia sia in piano, con il regolatore rivolto verso l'alto **1**. Controllare che non ci siano perdite di gas dal collegamento tra il regolatore e la cartuccia. In caso di dubbio, usare acqua saponata, come descritto nella sezione "Prima dell'accensione".

## ACCENSIONE DEL FORNELLO.

IT

**IMPORTANTE:** NON SPOSTARE MAI il fornello quando è acceso, con o senza pentole. Se il vento spinge le fiamme verso il basso, sotto il bruciatore, spegnere il fornello e spostarlo in un punto più riparato.

1. Ruotare di circa un giro in senso antiorario la manopola del gas **2** e accendere il gas con un fiammifero lungo, un accendino o un oggetto simile.
2. Una volta acceso il gas, è possibile usare la manopola per regolare la fiamma e l'apporto di calore. Il gas deve bruciare direttamente verso l'alto con una fiamma costante.
3. Posizionare la pentola o la padella sul fornello dopo aver acceso il gas.

# SPEGNIMENTO DEL FORNELLO.

**IMPORTANTE:** non riporre nella confezione il fornello prima che i bruciatori e i supporti delle pentole si siano raffreddati. Controllare che i bruciatori siano spenti prima di scollegare la cartuccia.

1. Spegnere il fornello ruotando le manopole in senso orario fino al punto di arresto. La valvola è chiusa e il flusso del gas si arresta quando la fiamma si spegne. Non applicare una forza eccessiva per chiudere il gas: potrebbero verificarsi problemi all'accensione successiva.
2. Quando hai finito di usare il fornello e il fornello è spento **7** svitare la cartuccia **8** dal regolatore **1** e posizionare quest'ultimo nell'alloggiamento sul lato inferiore del fornello.
3. Ruotare i supporti, chiudere il coperchio **5** e riportare la maniglia nella posizione iniziale. **11** .

# MANUTENZIONE DEL FORNELLO.

**IMPORTANTE:** interventi regolari di pulizia e revisione prolungano la durata del fornello. Non tentare di riparare le filettature o le valvole della cartuccia o del regolatore. Se il fornello ha bisogno di riparazioni, contattare Primus. Le informazioni di contatto sono disponibili sul retro di questo foglietto illustrativo.

1. Rimuovere il supporto per le pentole **4**. Sollevare il vassoio di gocciolamento **3**. Il vassoio può essere lavato a mano o in lavastoviglie.

2. Gli altri componenti del fornello possono essere puliti con un panno e un detergente non aggressivo come, ad esempio, un detersivo per piatti.
3. Esaminare le parti in legno. Se sono state bagnate e sono ora asciutte, applicare un leggero strato di olio.
4. Assemblare nuovamente il fornello quando è completamente asciutto. La parte più profonda del vassoio di gocciolamento deve essere quella più vicina al coperchio.

## **INFORMAZIONI IMPORTANTI RELATIVE ALLE CARTUCCE DI GAS**

- Questa apparecchiatura deve essere usata esclusivamente con cartucce Primus monouso da 100 g, 230 g o 450 g (contrassegnate rispettivamente come 2202XX, 2206XX, e 2207XX.).
- Per i vari tipi di cartucce ricaricabili vengono usati adattatori differenti. È possibile procurarsi altri adattatori e sostituire autonomamente i componenti del regolatore seguendo attentamente le istruzioni allegate agli adattatori. Può essere pericoloso tentare di collegare cartucce non progettate per questo fornello.

# SLOBODA ISTRAŽIVANJA.

Od osnivanja tvrtke Primus 1892. naši su švedski inženjeri s prepoznati i priznati diljem svijeta po dizajniranju kuhala za istraživače i avanturiste. Razlog zašto su inovacije tvrtke Primus tako uspješne i to 130 godina je naša istinska strast prema avanturi i inovativnim tehničkim rješenjima. Ta strast i poziv još uvijek nas potiču.

Bez obzira na to u kakvu se avanturu želite upustiti, želimo vas opremiti funkcionalnim i pouzdanim kuhalom koje će vam uvijek biti dragocjen suputnik. Zato ručno testiramo svako kuhalo pojedinačno, prije nego što napusti našu visoko tehnološki razvijenu tvornicu u Euro-pi. Na taj način održavamo visoku razinu kvalitete i funkcionalnosti koje zahtijevamo od svojih proizvoda. Zato pročitajte pažljivo ovaj priručnik i pobrinite se da vam kuhanje bude sigurno, zabavno i ukusno kako i treba biti.

Uživajte u svojoj hrani – uživajte u životu na otvorenom!



# NEKOLIKO RIJEČI O SIGURNOSTI.

Budući da se radi o visoko zapaljivim tvarima, želimo da obratite pažnju na nekoliko važnih točaka prije nego što počnete.

- ▶ **Važno:** Pročitajte ove upute za upotrebu pažljivo kako bi se pobliže upoznali s uređajem prije nego što ga spojite s plinskom kartušom. Čuvajte ove upute za buduću upotrebu.
- ▶ Koristite uređaj samo u dobro prozračenim prostorima.
- ▶ Provjerite brtve i spojeve svaki put kada upotrebljavate kuhalo. (pogledajte odjeljak „Prije paljenja“). Ne upotrebljavajte uređaj ako su brtve oštećene ili istrošene.
- ▶ Mijenjate plinski spremnik vani i podalje od ljudi. Provjera protoka plina kroz regulator i plamenike mora se obavljati na otvorenom i podalje od otvorenog plamena.
- ▶ Pripazite da se kuhalo ne upotrebljava u blizini zapaljivog materijala, plina ili tekućina. Kada se upotrebljava, udaljenost od bilo koje vrste krova mora biti najmanje 1250 mm te od zida 500 mm.
- ▶ Nikada ne ostavljajte kuhalo bez nadzora i uvijek vodite računa da je zapaljivi materijal daleko od kuhala prilikom korištenja.
- ▶ Ne radite promjene na uređaju. Pažljivo slijedite upute za postavljanje rezervnih dijelova koji se mogu naručiti, ako ćete ih sami mijenjati.
- ▶ Kad ne koristite kuhalo spremite ga, vodeći pritom računa da su sve sastavnice čiste i suhe. Kada je kuhalo spremnjeno plinska kartuša ne smije biti priključena na kuhalo. Plinsku kartušu čuvajte na suhom i sigurnom mjestu te izvan izravnog sunčeva svjetla i temperatura koje prelaze 50 °C.
- ▶ Čuvajte ovaj priručnik s uputama i koristite ga po potrebi.

# OBJAŠNJENJE SLIKE

---

## PREGLED PROIZVODA I POJEDINOSTI PROIZVODA

(POGLEDAJTE SLIKE NA PREKLOPU S LIJEVE STRANE)

- |                                  |                              |                                       |
|----------------------------------|------------------------------|---------------------------------------|
| 1 Regulator                      | 5 Poklopac                   | 10 Plinska spojnica – detaljni prikaz |
| 2 Kotačić za dovod plina         | 6 Ručka                      | 11 Kut ručke u položaju otvoreno      |
| 3 Posuda za prikupljanje masnoće | 7 Plamenik                   |                                       |
| 4 Podlošci za posude             | 8 Plinska kartuša            |                                       |
|                                  | 9 Navoji na plinskoj kartuši |                                       |

---

## PRIBOR I REZERVNI DIJELOVI

(POGLEDAJTE SLIKE NA PREKLOPU S LIJEVE STRANE)

- |  |  |
|--|--|
| A Crijevo i regulator, br. dijela 738026 | D Gas Cartridge<br>100 g, br. dijela 220610, 220620, 220630.<br>230 g, br. dijela 220710, 220720, 220730.<br>450 g, br. dijela 220210, 220220. |
| B Adapteri Adapters                      |  |
| C Tava za pečenje, br. dijela 738018     |  |

Sezonske varijante plina – ljeto i zima – dostupne su i kao pribor.

# UPOTREBA PLINA Moja 350170

Ovo kuhalo namijenjeno je za upotrebu s Primus plinom propan/izobutan/butan u plinskim kartušama s oznakom 2202xx, 2206xx, 2207xx. (Power crveni plin, zeleni ljetni plin ili smeđi zimski plin). Osim toga, LPG cilindar koji odgovara adapterima prodaje se zasebno kao pribor.

- Potrošnja plina je 250 g/h/3,5 kW butana pod tlakom od 1 bara. Ili 250 g/h/11.000 BTU/h pod tlakom od 1,45 bara.
- Promjer rupe u mlaznici plamenika kuhala je 0,37 mm.

## PROVJERA KUHALA. VAŽNO:

Ako uređaj pušta (miris plina), odmah ga iznesite na otvoreno, na dobro prozračen prostor bez plamena, gdje možete otkriti mjesto puštanja i zaustaviti ga. Ako želite provjeriti propušta li uređaj, napravite to na otvorenom. Ne pokušavajte otkriti propuštanje pomoću plamena, već za to koristite sapunicu. Kontaktirajte tvrtku Primus ili lokalnog dobavljača za zamjenske dijelove. Kontakt podatke pronaći ćete na zadnjoj stranici ove knjižice s uputama.

HR

1. Pomirišite ili poslušajte propušta li plinska kartuša. **8** Ako niste sigurni, možete provjeriti stavljanjem sapunice na spoj s plinskom kartušom. Ako vidite mjehuriće, to znači da kuhalo propušta plin – NE PALITE kuhalo!
2. Kotačići za upravljanje plinom **2** na kahalju moraju biti zatvoreni (okrenite u smjeru kazaljke na satu za zatvaranje) prije spajanja plinske kartuše.

3. Provjerite brtve prije spajanja nove plinske kartuše s uređajem. **1** Ne upotrebljavajte uređaj ako su brtve oštećene ili istrošene.
4. Navoji na plinskom ulošku i regulatoru **9** ne smiju biti oštećeni, ako su oštećeni ili na bilo koji način izobličeni, zamijenite plinsku kartušu; ili ako je regulator oštećen, NE UPOTREBLJAVAJTE kuhalo. Naručite novo crijevo i regulator – pogledajte pribor na bočnom preklopu.
5. Pregledajte crijevo (da nije iskrivljeno ili zgnječeno. Izbjegavajte savijanje fleksibilnog crijeva). Podignite podložak za tavu **4** i posudu za prikupljanje masnoće **3** radi ispravnog podešavanja crijeva i priključka. Maksimalna dužina crijeva za upotrebu: 2000 mm.

**PRIPREMA KUHALA.** **VAŽNO:** Pobrinite se da kuhalo stoji da stabilnoj, ravnoj površini bez zapaljivih materijala u blizini. Provjerite njegovu stabilnost! Ako prevrnete kuhalo dok su posude na njemu, riskirate polijevanje vrućom tekućinom.

1. Postavite kuhalo na bočnu stranu s ručkom **6** prema gore. Uklonite regulator **1** i crijevo iz utora na donjoj strani.
2. Stavite kuhalo na ravnu površinu.
3. Otvorite poklopac na kuhalu okretanjem ručke pod kutom od 90° **11**. Važno je da je ručka usmjerena ravno prema gore, u suprotnom se poklopac ne može otvoriti. Podignite poklopac koliko god je moguće.
4. Tijekom transporta podložak za tavu **4** je postavljen naopako. Okrenite podložak za tavu kako bi gruba strana bila gornja, prema posudi. Osigurajte da su metalni klinovi na rubovima u otvorima posude za prikupljanje masnoće **3**.

5. Pričvrstite plinsku kartušu na regulator tako da je zavrćete ujednačenim neprekidnim pokretom dokle god je moguće. **9** Napravite to ručno – NE KORISTITE kliješta ili slično.
6. Provjerite je li plinska kartuša u ravnini s gornjim regulatorom **1**. Provjerite ima li propuštanja plina iz spoja između regulatora i plinske kartuše. Ako niste sigurni, koristite sapunicu kao što je navedeno u odjeljku „Prije paljenja”.

**PALJENJE KUHALA. VAŽNO:** NI U KOJEM SLUČAJU NE PREMJEŠTAJTE kuhalo kada je upaljeno, bez obzira jesu li posude na njemu. Ako je zbog vjetra plamen usmjeren ispod plamenika, isključite kuhalo i premjestite ga na zaštićeno mjesto.

1. Okrenite kotačić dovoda plina **2** za plamenik **7** približno jedan okretaj suprotno od smjera kazaljke sata i upalite plamenik dugom šibicom; upaljačem ili sličnim.
2. Kada je plin upaljen, možete namjestiti plamen i dovod topline kotačićem dovoda. Plin treba gorjeti izravno prema gore ujednačenim plamenom.
3. Stavite posudu ili tavu na kuhalo nakon što je plin upaljen.

## **ISKLJUČIVANJE KUHALA.** **VAŽNO:** Ne pakirajte kuhalo prije nego što se plamenici i podlošci za tavu ohlade. Provjerite jesu li plamenici ugašeni prije isključivanja plinske kartuše.

1. Isključite kuhalo okretanjem kotačića za dovod plina u smjeru kazaljke na satu na položaj zaustavljanja. Ventil je zatvoren i protok plina je zaustavljen kada se plamen ugasi. Ne upotrebljavajte prekomjernu silu za isključivanje dovoda; riskirate mogućnost problema sljedeći put kada budete uključivati dovod.
2. Kada ste u potpunosti završili s kuhlalom i plamenikom **7** isključena, odvrnite plinsku kartušu **8** s regulatora **1** i postavite regulator u utor ispod kuthala.
3. Okrenite podloške za tavu, zatvorite poklopac **5** i zakrenite ručku natrag **11** na položaj.

## **ODRŽAVANJE KUHALA.**

**VAŽNO:** Redovito čišćenje i pregledavanje produžit će vijek trajanja vašeg kuthala. Ne pokušavajte sami popravljati navoje vijaka ili ventila na plinskim kartušama ili regulatoru. Ako kuhalo treba popraviti, kontaktirajte tvrtku Primus. Kontakt podatke pronaći ćete na zadnjoj stranici ove knjižice s uputama.

1. Uklonite podložak za tavu. **4** Podignite posudu za prikupljanje masnoće **3** Posuda za prikupljanje masnoće može se oprati u perilici posuda ili ručno.
2. Ostatak kuthala može se obrisati krpom ili blagim sredstvom za čišćenje, npr. deterdžentom za suđe.

3. Pregledajte drvene dijelove. Nakon što su se osušili, lagano ih premažite uljem.
4. Ponovno sastavite kuhalo tek kada je u potpunosti suho. Najdublji dio posude za prikupljanje masnoće treba biti najbliži poklopcu.

## **VAŽNE INFORMACIJE U VEZI S PLINSKIM KARTUŠAMA.**

- Ovaj uređaj treba upotrebljavati samo s Primus plinskim kartušama za jednokratnu upotrebu od 100 g, 230 g ili 450 g (oznake 2202XX, 2206XX i 2207XX).
- Različiti adapteri upotrebljavaju se za razne vrste plinskih kartuša koje se mogu puniti. Možete sami nabaviti druge adaptere i dijelove za zamjenu regulatora ako pažljivo slijedite upute koje su s njima isporučene. Spajanje plinskih kartuša koje nisu namijenjene za kuhalo može biti opasno.

# SVOBODA OBJEVOVAT

Již od založení společnosti Primus v roce 1892 si švédští konstruktéři budují mezinárodní uznání výrobou vařičů určených objevitelům a dobrodruhům. Náš zápal pro dobrodružství a technická řešení jsou také základem úspěchů inovací Primus již 130 let. A právě tento zápal a poslání nás stále naplňuje nadšením.

Ať už se chcete vydat za dobrodružstvím kamkoli, vybavíme vás praktickým a spolehlivým vařičem, který vám bude společníkem na věky. Proto také každý exemplář před opuštěním naší moderní továrny ručně testujeme. Dokážeme tak udržovat vysokou kvalitu a praktické fungování, jaké od svých výrobků očekáváme. Přečtěte si, prosím, pečlivě tento návod, ať je vaše vaření bezpečné, zábavné i chutné tak, jak má být.

Dobrou chuť a přejeme příjemný pobyt v přírodě!



# **PÁR SLOV O BEZPEČNOSTI.** Protože se zde jedná o vysoce hořlavé látky, rádi bychom vás předtím, než začnete, upozornili na několik věcí.

- ▶ **Důležité:** Pečlivě si projděte tyto pokyny a seznamte se s přístrojem dřív, než jej nasadíte na plynovou nádobu. Návod si pro případ potřeby uschovejte.
- ▶ Používejte pouze v dobře větraných prostorách.
- ▶ Při každém použití vařiče zkontrolujte těsnění a spoje. (Viz část „Před zapálením“) Pokud je zařízení poškozeno nebo je nefunkční těsnění, výrobek nepoužívejte.
- ▶ Nádobu s plynem neměřte v uzavřených prostorách a v blízkosti dalších osob. Kontrolu, zda plyn prochází hořákem, provádějte výhradně ve venkovním prostředí a nikdy v blízkosti otevřeného ohně.
- ▶ Vařič nikdy nepoužívejte v blízkosti hořlavých materiálů, plynů nebo tekutin. Do provozu uvádějte nejméně 1 250 mm od nejbližšího stropu a 500 mm od nejbližší zdi.
- ▶ Nikdy nenechávejte zapálený vařič bez dozoru a vždy se ujistěte, že se v jeho okolí nenacházejí žádné hořlavé materiály.
- ▶ Přístroj nijak neupravujte. Pokud se chystáte sami měnit některé samostatně objednatelné součástky, pečlivě postupujte podle pokynů.
- ▶ Před uskladněním se ujistěte, že jsou všechny součásti čisté a suché. Nikdy neuskładňujte se zapojenou plynovou nádobou. Plynovou náplň skladujte na suchém a bezpečném místě mimo přímé sluneční záření a v teplotách maximálně do 50 °C.
- ▶ Tento návod si, prosím, uložte pro případ potřeby.

# POPIS OBRÁZKŮ

---

## PŘEHLED PRODUKTU & POPIS PRODUKTU

(VIZ ILUSTRACE NA LISTU VLEVO)

- |                          |                            |                                    |
|--------------------------|----------------------------|------------------------------------|
| 1 Ventil                 | 6 Rukojeť                  | 11 Úhel rukojeti v otevřené pozici |
| 2 Ovládání přívodu plynu | 7 Hořák                    |                                    |
| 3 Odkapávací miska       | 8 Plynová nádoba           |                                    |
| 4 Stojan nádoby          | 9 Závity na plynové náplni |                                    |
| 5 Víko                   | 10 Plynová spojka – detail |                                    |

---

## PŘÍSLUŠENSTVÍ A NÁHRADNÍ DÍLY

(VIZ OBRÁZKY NA STRÁNCE VLEVO)

- |                                    |   |
|------------------------------------|---|
| A Hadička a ventil, část č. 738026 | D Gas Cartridge<br>100 g, část č. 220610, 220620, 220630.<br>230 g, část č. 220710, 220720, 220730.<br>450 g, část č. 220210, 220220. |
| B Adaptéry                         |   |
| C Grilovací pánev, část č. 738018  |   |

Jako příslušenství jsou také k dispozici sezónní varianty náplní – letní a zimní.

# POUŽÍVANÝ PLYN Moja 350170

Tento vaříč se používá s plynem Primus propan/isobutan/butan v nádobách s označením 2202xx, 2206xx, 2207xx. (červená varianta Power Gas, zelená letní Summer Gas nebo hnědá zimní Winter Gas). Případně lze využít LPG nádoby, které odpovídají adaptérům prodávaným jako příslušenství.

- ▶ Spotřeba plynu je 250 g/h/3,5 kW butanu pod tlakem 1 bar. Nebo 250 g/h/11 000 BTU/h butanu pod tlakem 1,45 bar.
- ▶ Průměr otvoru v trysce kahanu je 0,37 mm.

## KONTROLA VAŘIČE. DŮLEŽITÉ:

Pokud dojde u zařízení k úniku plynu (ucítíte plyn), okamžitě jej vynesete ven na dobře větrané místo bez otevřeného ohně, kde můžete unikání identifikovat a zastavit. Pokud chcete zkontrolovat, zda zařízení někde neuniká, dělejte to, prosím, venku. Únik nevyhledávejte pomocí plamene, použijte mýdlovou vodu. Náhradní díly získáte u společnosti Primus nebo místního distributora. Kontaktní údaje najdete na zadní straně brožury s pokyny.

CZ

1. Únik plynu zaznamenáte čichem nebo sluchem. **8** Pokud nemáte jistotu, naneste na místo spoje s plynovou nádobou trochu mýdlové vody. Pokud uvidíte bubliny, jedná se o únik plynu – vaříč NEZAPALUJTE!
2. Před nasazením plynové nádoby musí být ovládání přívodu plynu **2** v poloze „uzavřeno“ (uzavřete otočením po směru hodinových ručiček).

3. Před nasazením nové plynové nádoby zkontrolujte těsnění. **1** Pokud bylo zařízení poškozeno nebo je těsnění opotřebováno, výrobek nepoužívejte.
4. Závity na plynové náplni a ventilu **9** musí zůstat nepoškozené. Pokud budou jakkoli poškozeny nebo zkrženy, vyměňte plynovou náplň, případně, pokud je poškozený ventil, vaříč NEPOUŽÍVEJTE. Objednejte si novou hadičku a ventil – viz Příslušenství na vedlejší stránce.
5. Zkontrolujte hadičku (nesmí být zlomená nebo zmáčknutá; flexibilní hadičku ani nijak nekrutíte). Zvedněte stojan na nádoby **4** a odkapávací misku **3** a ujistěte se, že hadička i konektor jsou správně nastaveny/spojeny. Lze použít hadičku s maximální délkou: 2 000 mm.

**PŘÍPRAVA VAŘIČE. DŮLEŽITÉ:** Ujistěte se, že vaříč stojí na stabilním, rovném povrchu a v jeho okolí nejsou žádné hořlavé materiály. Zkontrolujte stabilitu! Pokud se vaříč za provozu převrhne, riskujete opařeníny.

1. Položte vaříč na bok rukojeti **6** nahoru. Na spodní straně vyndejte ventil **1** s hadičkou.
2. Položte vaříč na rovný povrch.
3. Otevřete víko vaříče otočením rukojeti o 90° **11**. Rukojeť musí směřovat přímo vzhůru, jinak se víko neotevře. Otevřete víko do nejkrajnější otevřené polohy.
4. Během přepravy je mížka na nádobu **4** vzhůru nohama. Otočte mížku tak, aby drsná strana byla směrem nahoru k hrnci. Ujistěte se, že kovové kolíčky na hranách mížky zapadají do otvorů v odkapávací misce **3**.
5. Nasaďte plynovou nádobu na ventil a dotáhněte závit na doraz. **9** Utahujte pouze ručně – NEPOUŽÍVEJTE kleště ani jiné nástroje.

- Ujistěte se, že plynová nádoba s ventilem stojí **1**. Zkontrolujte, že v místě napojení nádoby nedochází k úniku plynu. Pokud nemáte jistotu, použijte mýdlovou vodu podle pokynů v části „Před zapálením“.

**ZAPÁLENÍ VAŘIČE. DŮLEŽITÉ:** Po zapálení s vaříčem ZA ŽÁDNÝCH OKOLNOSTÍ NEPOHYBUJTE, ať už s nádobami na vařiči nebo bez nich. Pokud plameny hořáku tlumí vítr, vaříč vypněte a přesuňte jej na chráněnější místo.

- Otočte ovladačem přívodu plynu **2** u hořáku (asi jedno otočení proti směru hodinových ručiček) a zapalte delší sirkou, zapalovačem či jiným vhodným zapalovacím prostředkem.
- Výkon vaříče regulujete ovladačem přívodu plynu. Plyn by měl hořet přímo vzhůru stabilním plamenem.
- Hrnc nebo pánev pokládejte na vaříč až po zapálení.

## VYPNUTÍ VAŘIČE. DŮLEŽITÉ:

Vařič nebalte, dokud nejsou hořáky a stojan na nádoby vychladlé. Před odpojením plynové nádoby zkontrolujte, zda hořáky skutečně zhasly.

1. Vařič vypněte otočením přívodu plynu po směru hodinových ručiček do polohy Stop. Ventil je uzavřen tehdy, když zhasne plamen hořáku a plyn přestane proudit. Při otočení uzávěru nepoužívejte přehnanou sílu – předcházíte tak problémům při příštím použití přístroje.
2. Když práci s vařičem ukončíte a hořákem **7** jsou vypnuté, odšroubujte plynovou nádobu **8** **1** a umístěte ventil s hadičkou do prostoru na spodní straně vařiče.
3. Otočte mřížku na nádoby, zavřete víko **5**, a otočte rukojeť zpět **11** do svislé polohy.

## ÚDRŽBA VAŘIČE. DŮLEŽITÉ:

Pravidelné čištění a kontrola prodlouží životnost vařiče. Nesnažte se opravovat závitky nebo uzávěry na plynové náplni nebo zařízení. Pokud potřebujete vařič opravit, obraťte se na společnost Primus. Kontaktní údaje najdete na zadní straně brožury.

1. Sundejte mřížku na nádoby. **4** Zvedněte odkapávací miskou **3** Odkapávací miskou lze mít ručně i v myčce.
2. Zbytek vařiče otřete vhodným kusem látky s neagresivním čistícím prostředkem, např. přípravkem na nádobí.
3. Zkontrolujte dřevěné části. Pokud byly mokré a nyní uschly, lehce je potřete olejem.
4. Vařič znovu sestavte, až bude zcela suchý. Nejhlubší část odkapávací misky by měla být nejbližší víku.

# DŮLEŽITÉ INFORMACE O PLYNOVÝCH NÁPLNÍCH

- Tento přístroj lze používat pouze s jednorázovými nádobami Primus 100 g, 230 g nebo 450 g (označení 2202XX, 2206XX a 2207XX).
- Pro různé typy doplňitelných nádob lze použít různé adaptéry. Pokud pečlivě dodržíte přiložené pokyny, můžete adaptéry a další součásti měnit i samostatně. Použití přístroje s nekompatibilními plynovými nádobami může být nebezpečné

# SLOBODA OBJAVOVAŤ

Už od založenia spoločnosti Primus v roku 1892 si švédski konštruktéri budujú medzinárodné uznanie výrobou varičov určených pre objaviteľov a dobrodruhov. Naša vášeň pre dobrodružstvo a technické riešenia je tiež základom úspechov inovácií Primus už 130 rokov. A práve táto vášeň a poslanie nás stále naplňajú nadšením.

Nech už sa vydáte za dobrodružstvom kamkoľvek, vybavíme vás praktickým a spoľahlivým varičom, ktorý bude vaším spoločníkom naveky. Preto tiež každý exemplár pred opustením našej modernej továrne ručne testujeme. Dokážeme tak udržiavať vysokú kvalitu a praktické fungovanie, aké očakávame od svojich výrobkov. Prečítajte si, prosím, starostlivo tento návod, nech je vaše varenie bezpečné, zábavné aj chutné tak, ako má byť.

Dobrú chuť a prajeme príjemný pobyt v prírode!



# PÁR SLOV O BEZPEČNOSTI.

Pretože tu ide o vysoko horľavé látky, radi by sme vás predtým, než začnete, upozornili na niekoľko vecí..

- ▶ **Dôležité:** Starostlivo si prejdite tieto pokyny a zoznámte sa s prístrojom skôr, než ho nasadíte na plynovú nádobu. Návod si pre prípad potreby uschovajte.
- ▶ Používajte iba v dobre vetraných priestoroch.
- ▶ Pri každom použití variča skontrolujte tesnenie a spoje (Pozri časť „Pred zapálením“).
- ▶ Ak je zariadenie poškodené, alebo je nefunkčné tesnenie, výrobok nepoužívajte.
- ▶ Nádobu s plynom nemeňte v uzavretých priestoroch a v blízkosti ďalších osôb. Kontrolu, či plyn prechádza horákom, robte výhradne vo vonkajšom prostredí a nikdy v blízkosti otvoreného ohňa.
- ▶ Varič nikdy nepoužívajte v blízkosti horľavých materiálov, plynov alebo tekutín. Do prevádzky varič uvádzajte vo vzdialenosti najmenej 1 250 mm od najbližšieho stropu a 500 mm od najbližšej steny.
- ▶ Nikdy nenechávajte zapálený varič bez dozoru a vždy sa uistite, že sa v jeho okolí nenachádzajú žiadne horľavé materiály.
- ▶ Pred uskladnením sa uistite, že sú všetky súčasti čisté a suché. Nikdy neuskladňujte zapojenú plynovú nádobu. Plynovú náplň skladujte na suchom a bezpečnom mieste mimo priameho slnečného žiarenia a v teplotách maximálne do 50 °C.
- ▶ Tento návod si, prosím, uložte pre prípad potreby.

# OPIS OBRÁZKOV

---

## PREHĽAD PRODUKTU & POPIS PRODUKTU

(VIĎ ILUSTRÁCIA NA STRANE VĽAVO)

- |                           |                             |                                      |
|---------------------------|-----------------------------|--------------------------------------|
| 1 Ventil                  | 6 Rukoväť                   | 11 Uhol rukoväte v otvorenej pozícii |
| 2 Ovládanie prívodu plynu | 7 Horák                     |                                      |
| 3 Odkvapkávacia miska     | 8 Plynová nádoba            |                                      |
| 4 Stojan nádoby           | 9 Závity na plynovej náplni |                                      |
| 5 Veko                    | 10 Plynová spojka – detail  |                                      |

---

## PRÍSLUŠENSTVO A NÁHRADNÉ DIELY

(VIĎ OBRÁZKY NA STRANE VĽAVO)

- |   |  |
|---|--|
| A Stojan nádoby, časť č. 738023         | D Plynová nádoba<br>100 g, časť č. 220610, 220620, 220630.<br>230 g, časť č. 220710, 220720, 220730.<br>450 g, časť č. 220210, 220220. |
| B Adaptéry                              |  |
| C Parnica na grilovanie, časť č. 738018 |  |

Ako príslušenstvo sú tiež k dispozícii sezónne varianty náplní – letné a zimné.

# POUŽÍVANÝ PLYN Moja 350170

Tento varič sa používa s plynom Primus propán/izobután/bután v nádobách s označením 2202xx, 2206xx, 2207xx. (červený variant Power Gas, zelený letný Summer Gas alebo hnedý zimný Winter Gas). Prípadne je možné využiť LPG nádoby, ktoré zodpovedajú adaptérom predávaným ako príslušenstvo.

- ▶ Spotreba plynu je 250 g/h/3,5 kW butánu pod tlakom 1 bar. Alebo 250 g/h/11 000 BTU/h butánu pod tlakom 1,45 baru.
- ▶ Priemer otvoru v tryske kahanca je 0,37 mm.

## KONTROLA VARIČA. DÔLEŽITÉ:

Pokiaľ dôjde k úniku plynu zo zariadenia (pocítite plyn), okamžite ho vynesť von na dobre vetrané miesto bez otvoreného ohňa, kde môžete unikanie identifikovať a zastaviť. Ak chcete skontrolovať, či zariadenie niekde netesní, robte to, prosím, vonku. Únik nevyhľadajte pomocou plameňa, použite mydlovú vodu. Náhradné diely získate v spoločnosti Primus alebo u miestneho distribútora. Kontaktné údaje nájdete na zadnej strane brožúry s pokynmi.

SK

1. Únik plynu zaznamenáte čuchom alebo sluchom. **8** Pokiaľ nemáte istotu, naneste na miesto spoja s plynovou nádobou trochu mydlovej vody. Ak uvidíte bubliny, ide o únik plynu – varič **NEZAPALUJTE!**
2. Pred nasadením plynovej nádoby musí byť ovládanie prívodu plynu **2** v polohe „uzavreté“ (uzavrite otočením v smere hodinových ručičiek).

3. Pred nasadením novej plynovej nádoby skontrolujte tesnenie **1**. Ak bolo zariadenie poškodené alebo je tesnenie opotrebované, výrobok nepoužívajte.
4. Závit na plynovej náplni a ventile **9** musia zostať nepoškodené. Ak budú akokoľvek poškodené alebo skrúžené, vymeňte plynovú náplň, prípadne, ak je poškodený ventil, varič **NEPOUŽÍVAJTE**. Objednajte si novú hadičku a ventil – viď Príslušenstvo na vedľajšej strane.
5. Skontrolujte hadičku (nesmie byť zlomená alebo stlačená; flexibilnú hadičku ani nijako nekrúťte). Zdvihnite stojan na nádobu **4** a odkvapkávaciu misku **3** a uistite sa, že hadička aj konektor sú správne nastavené/spojené. Je možné použiť hadičku s maximálnou dĺžkou 2 000 mm.

**PRÍPRAVA VARIČA. DÔLEŽITÉ:** Uistite sa, že varič stojí na stabilnom, rovnom povrchu a v jeho okolí nie sú žiadne horľavé materiály. Skontrolujte stabilitu! Ak sa varič počas prevádzky prevrhne, riskujete popálenie.

1. Položte varič nabok rukoväťou **6** hore. Na spodnej strane vyberte ventil **1** s hadičkou.
2. Položte varič na rovný povrch.
3. Otvorte veko variča otočením rukoväte o 90° **11**. Rukoväť musí smerovať priamo nahor, inak sa veko neatvorí. Otvorte veko do najkrajnejšej otvorenej polohy.
4. Počas prepravy je mriežka na nádobu **4** hore nohami. Otočte mriežku tak, aby drsná strana bola smerom nahor k hmcu. Uistite sa, že kovové kolíky na hranách mriežky zapadajú do otvorov v odkvapkávacej miske **3**.
5. Nasadte plynovú nádobu na ventil a dotiahnite závit na doraz **9**. Uťahujte iba ručne – **NEPOUŽÍVAJTE** kliešte ani iné nástroje.

6. Uistite sa, že plynová nádoba s ventilom stojí **1**. Skontrolujte, či v mieste napojenia nádoby nedochádza k úniku plynu. Pokiaľ nemáte istotu, použite mydlovú vodu podľa pokynov v časti „Pred zapálením“.

**ZAPÁLENIE VARIČA. DÔLEŽITÉ:** Po zapálení s varičom **ZA ŽIADNYCH OKOLNOSTÍ NEPOHYBUJTE**, či už s nádobami na variči alebo bez nich. Pokiaľ plamene horáka tlmí vietor, varič vypnite a presuňte ho na chránenejšie miesto.

1. Otočte ovládačom prívodu plynu **2** (asi jedno otočenie proti smeru hodinových ručičiek) a zapáľte dlhšou zápalkou, zapalovačom či iným vhodným zapalovacím prostriedkom.
2. Výkon variča regulujete ovládačom prívodu plynu. Plyn by mal horieť priamo nahor stabilným plameňom.
3. Hrniec alebo panvicu položte na varič až po zapálení.

**VYPNUTIE VARIČA. DÔLEŽITÉ:** Varič nebalte, kým nie sú horáky a stojan na nádoby vychladnuté. Pred odpojením plynovej nádoby skontrolujte, či horáky skutočne zhasli.

1. Varič vypnite otočením prívodu plynu v smere hodinových ručičiek do polohy Stop. Ventil je uzavretý vtedy, keď zhasne plameň horáka a plyn prestane prúdiť. Pri otočení uzáveru nepoužívajte prehnajú silu – predchádzate tak problémom pri ďalšom použití prístroja.
2. Keď prácu s varičom ukončíte a horák **7** je vypnutý, odšroubujte plynovú nádobu **8 1** umiestíte ventil s hadičkou do priestoru na spodní strane variče.
3. Otočte mriežku na nádoby, zatvorte veko **5**, a otočte rukoväť späť **11** do zvislej polohy.

**ÚDRŽBA VARIČA. DÔLEŽITÉ:** Pravidelné čistenie a kontrola predĺži životnosť variča. Nesnažte sa opravovať závitý alebo uzávery na plynovej náplni alebo zariadení. Ak potrebujete varič opraviť, obráťte sa na spoločnosť Primus. Kontaktné údaje nájdete na zadnej strane brožúry.

1. Zložte mriežku na nádoby **4** Zdvihnite odkvapkávacia misku **3** Odkvapkávacia misku je možné umývať ručne aj v umývačke.
2. Zvyšok variča utrite vhodným kusom látky s neagresívnym čistiacim prostriedkom, napr. prípravkom na riad.
3. Skontrolujte drevené časti. Ak boli mokré a teraz uschli, zľahka ich potrite olejom.
4. Varič znovu zostavte, keď bude úplne suchý. Najhlbšia časť odkvapkávacej misky by mala byť najbližšie veku.

# DÔLEŽITÉ INFORMÁCIE O PLYNOVÝCH NÁPLNIACH

- Tento prístroj je možné používať iba s jednorazovými nádobami Primus 100 g, 230 g alebo 450 g (označenie 2202XX, 2206XX a 2207XX).
- Na rôzne typy doplniteľných nádob je možné použiť rôzne adaptéry. Pokiaľ starostlivo dodržíte priložené pokyny, môžete adaptéry a ďalšie súčasti meniť aj samostatne. Použitie prístroja s nekompatibilnými plynovými nádobami môže byť nebezpečné.

# MOZGÁSSZA- BADSÁG ÉS FELFEDEZÉS.

1892-es megalapítása óta nemzetközi elismerés övezi a Primusnál dolgozó svéd mérnökök munkáját, akik természetjáróknak és felfedezőknak készítenek tűzhelyeket. A kalandozás és a technikai megoldások iránti elkötelezettségünknek köszönhetően a Primus újdonságai immár 130 éve aratnak újabb és újabb sikereket. Azóta is szüntelenül lobog bennünk az elhivatottság és a szenvedély.

Mindegy, milyen nehézségű kalandra készülsz: mi azt szeretnénk, ha olyan praktikus és megbízható tűzhellyel indulnál útnak, amelyik egy életen át elkísér. Csúcsmínőségű európai üzemünkből kikerülő tűzhelyeink mindegyikét egyesével, kézzel ellenőrizzük. Így tudjuk biztosítani a termékeinktől elvárt kiváló működést és minőséget. Ezennel megkérünk arra, hogy alaposan olvasd el ezt az útmutatót, hogy biztosíthasd a főzéshez a biztonságot, jó hangulatot és finom ízelet garantáló körülményeket.

Fogyaszd jóízűen, amit készítettél – és töltsd jókedvűen a szabadban az időt!



# NÉHÁNY SZÓBAN A BIZTONSÁGRÓL.

Mivel igen gyúlékony anyagokkal fogsz dolgozni, mielőtt nekifognál, szeretnénk néhány fontos dologra felhívni a figyelmed.

- ▶ Fontos: Alaposan olvasd el a felhasználási útmutatót, hogy még a gázpalackhoz csatlakoztatás előtt megismerd a készüléket. Őrizd meg az útmutatót, mert később még szükséged lehet rá.
- ▶ A készüléket kizárólag jól szellőző helyen használd.
- ▶ Használat előtt mindig ellenőrizd a tűzhely tömitéseit és csatlakozóit. (bővebben lásd itt: „Teendők begyújtás előtt”). Ha a tömitések megsérültek vagy elhasználódtak, ne használd a készüléket!
- ▶ A gázpalackot szabadterben, egyedül cseréld ki. A gázáramot kültérben, nyílt lángtól távol kell ellenőrizni a gázáram-szabályozónál és az égőknel.
- ▶ A tűzhelyet semmiképp ne használd éghető anyagok, gázok vagy folyadékok közelében! A készüléknek használat közben legalább 1250 mm távolságra kell lennie a helyiség mennyezetétől/tetejétől, illetve 500 mm-re a faltól.
- ▶ Az égő tűzhelyet ne hagyd felügyelet nélkül, és gondoskodj róla, hogy használat közben ne legyen a közelében semmilyen könnyen lángra lobbanó anyag!
- ▶ Ne végezz módosításokat a készüléken. Ha cserealkatrészt rendeltél a készülékhez, és a szerelést te magad végzed el, mindenképpen kövesd a leírt instrukciókat!
- ▶ Ha elrakod a tűzhelyet, gondoskodj róla, hogy minden alkatrésze tiszta és száraz legyen. Használaton kívül helyezett tűzhelyhez nem szabad gázpatront csatlakoztatni! A gázpatron száraz, biztonságos helyen, közvetlen napfénytől és 50 °C-ot meghaladó hőmérséklettel védve tartandó.
- ▶ Őrizd meg ezt az útmutatót, és vedd elő, amikor szükséged van rá.

# KÉPMAGYARÁZAT

---

## A TERMÉK ISMERTETÉSE ÉS A TERMÉK RÉSZEI

(LÁSD A KIHAJTÁSON LÁTHATÓ ÁBRÁKAT A BAL OLDALON)

- 1 Gázáram-szabályozó
- 2 A gáztűzhely gombja
- 3 Felfogótálca
- 4 Edénytartók
- 5 Fedél
- 6 Fogantyú
- 7 Égő
- 8 Gázpatron
- 9 A gázpatronon található menetek
- 10 Gázcsatlakozó – részletes ábra
- 11 A fogantyú állása nyitott pozícióban

---

## TARTOZÉKOK ÉS CSEREALKATRÉSZEK

(LÁSD A KIHAJTÁSON LÁTHATÓ ÁBRÁKAT A BAL OLDALON)

- A Töltő és gázáram-szabályozó;  
cikkszám: 738026
- B Adapterek
- C Grillserpenyő, cikkszám: 738018
- D Gas Cartridge  
100 g, cikkszám: 220610, 220620, 220630.  
230 g, cikkszám: 220710, 220720, 220730.  
450 g, cikkszám: 220210, 220220.

Kiegészítőként szezonális – nyári és téli –  
gázkeverék is kapható.

# A GÁZ HASZNÁLATA Moja 350170

Az itt ismertetett tűzhelyhez patronos Primus propán/izobután/bután gázkeverék használandó; a patronokon a 2202xx, 2206xx vagy 2207xx megjelölés szerepel. (Piros: hajtógáz, zöld: nyári gáz, barna: téli gáz). Kiegészítőként az adapterre illeszthető LPG-henger is vásárolható.

- ▶ A gázfogyasztás 1 bar nyomásnál 250 g/óra/3,5 kW bután, illetve 1,45 bar nyomásnál 250 g/óra/11 000 BTU (brit hőegység)/óra bután.
- ▶ A tűzhely égőjén a fúvóka furatátmérője 0,37 mm.

## A TŰZHELY ELLENŐRZÉSE. FONTOS:

Ha a készülék szivárog (gázszag érezhető), a készüléket azonnal vidd ki a szabadba, egy jól szellőző, lángmentes helyre, ahol megkeresheted a szivárgás helyét, és megszüntetheted a gázömlést. Ha ellenőrizni akarod az esetleges szivárgást a készüléken, ezt mindenképp kültérben tedd. A szivárgás ellenőrzését ne láng, hanem szappanos víz segítségével végezd. Cserealkatrészeket a Primustól vagy a helyi márkakereskedőtől rendelhetsz. Az elérhetősegeket az instrukciókat tartalmazó füzet hátoldalán találsz.

HU

1. A gázpatron szivárgását a szaga vagy a sziszegő hangja alapján észlelheted. **8** Ha nem vagy biztos a dolgokban, kenj egy kevés szappanos vizet a gázpatron csatlakozójára. Ha buborékos lesz, szivárog a gáz. Ebben az esetben NE GYÚJTSD BE a tűzhelyet!
2. A gázpalack csatlakoztatása előtt a tűzhelyen lévő gombokat **2** (jobbra fordítva) el kell zárnai.

3. Mielőtt új gázpalackot csatlakoztatnál a készülékhez, ellenőrizd a tömitéseket. **1** Ha a tömitések megsérültek vagy elhasználódtak, ne használd a készüléket!
4. A gázpatronon és a gázáram-szabályozón **9** lévő meneteknek egyaránt épeknek kell lenniük. Ha bármilyen módon megsérültek vagy elhajlottak, cseréld ki a gázpatront; ha pedig a gázáram-szabályozó károsodott, NE HASZNÁLD a tűzhelyet! Rendelj új tömlőt és gázáram-szabályozót – lásd a Tartozékok részt az oldalkihajtáson.
5. Ellenőrizd a tömlőt (hogy ne legyen sem elszakadva, sem összenyomódva. Ne tekergesd a rugalmas tömlőt). Emeld meg a serpenyőtartót **4** és a felfogótálcát **3**, hogy megfelelően meg tudd igazítani a tömlőt és a csatlakozót. Maximális használható tömlőhossz: 2000 mm.

## A TŰZHELY ELŐKÉSZÍTÉSE A HASZNÁLATRA.

**FONTOS:** Ügyelj rá, hogy a tűzhelyet stabil, egyenes felületen, éghető anyagoktól távol állítsd fel! Ellenőrizd, hogy nem billeg-e. Ha a tűzhely megbillen, miközben főzőedények vannak rajta, a kifröccsenő forró folyadékokkal megégetheted magad.

1. Fektesd az oldalára a tűzhelyet úgy, hogy a fogantyúja **6** legyen felül. Az alul lévő tárolórekeszből emeld ki a gázáram-szabályozót **1** és a tömlőt.
2. A tűzhelyet állítsd egyenes felületre.
3. Nyisd fel a tűzhely fedelét: ehhez húzd 90°-os szögbe a fogantyút **11**. Fontos, hogy a fogantyú egyenesen előre mutasson – e nélkül nem lehet felnyitni a fedelet. Emeld a fedelet olyan magasra, amennyire csak tudod.

4. Szállításra előkészített állapotban a serpenyőtartó **4** fejjel lefelé áll. Fordítsd meg a serpenyőtartót úgy, hogy az éles oldalai legfelül, a serpenyő irányában legyenek. A széleken található fémtűknek a felfogótálcán lévő furatokba kell illeszkedniük **3**.
5. Illeszd a gázpatront a gázáram-szabályozóra: ehhez határozott mozdulatokkal csavard rá addig, amíg nem rögzül. **9** A feladatot kézzel végezd: NE használj hozzá fogót vagy más szerszámot!
6. Ügyelj rá, hogy a gázpatron felül egy vonalban legyen a gázáram-szabályozóval **1**. Ellenőrizd, hogy a gázáram-szabályozó és a gázpatron közötti csatlakozás ne szivároгjon. Ha nem vagy biztos a dolgokban, használd a „Teendők begyújtás előtt” című részben leírt módszert (a szappanos vizet).

**A TŰZHELY BEGYÚJTÁSA.** **FONTOS:** SEMMIKÉP-  
PEN NE HELYEZD ÁT a tűzhelyet, amikor be van gyújtva, akár vannak rajta edények, akár nem! Ha a szél miatt a lángok beszorulnak az égő alá, kapszold ki a tűzhelyet, és vidd szélvédettebb helyre.

1. Fordítsa el a gáztűzhely gombját **2** az égőhöz egy fordulattal balra, majd gyújtsa meg az égőt egy hosszú gyufával és egy öngyújtóval és egy másik öngyújtóval.
2. Ha a gáz meggyulladt, a láng erősségét és a hőt a gáztűzhely gombjával tudod szabályozni. A gáz lángjának stabilan, felfelé kell égnie (ne táncoljon).
3. Ha a gáz meggyulladt, helyezd a tűzhelyre az edényt vagy a serpenyőt.

## **A TŰZHELY KIKAPCSOLÁSA.** FONTOS: A tűzhelyet addig ne rakd össze, amíg az égők és az edénytartók ki nem hűltek. A gázpalack leválasztása előtt ellenőrizd, hogy az égők ki vannak-e kapcsolva.

1. A tűzhely kikapcsolásához fordítsd el jobbra, Ki állásba a gáztűzhely gombjait. Amikor a láng kialszik, a szelep le van zárva, a gázáram pedig szünetel. A gázcsapot ne zárd el túl erősen – problémát okozhat, amikor legközelebb ki akarod nyitni.
2. Ha minden teendőt elvégeztél a tűzhelyen, és az égő **7** le van kapcsolva, csavard le a gázpatront **8** a gázáram-szabályozóról **1**, és helyezd vissza a gázáram-szabályozót a tűzhely alján lévő tárolórekeszbe.
3. Fordítsd el a serpenyőtartókat, zárd le a fedelet **5**, majd told vissza a fogantyút **11** a helyére.

## **A TŰZHELY KARBANTARTÁSA.**

**FONTOS:** A rendszeres tisztítás és generálszervizelés meghosszabbítja a tűzhely élettartamát. A gázpatronon vagy a gázáram-szabályozón lévő csavarmenteket vagy szelepeket ne kísérelj meg te magad kijavítani! Ha a tűzhely szervizelést igényel, fordulj a Primushoz. Az elérhetőségeket az instrukciókat tartalmazó füzet hátoldalán találod.

1. Emeld le a serpenyőtartót. **4** Emeld le a felfogótálcát **3**. A felfogótálcát kézzel és gépben is elmoshatod.
2. A tűzhely többi részét ruhával és enyhe tisztítószerrel, például mosogatógéppel kell megtisztítani.

3. Vizsgáld meg a fából készült részeket. Ha víz érte őket, de már megszáradtak, töröld át őket egy kevés olajjal.
4. Miután teljesen megszáradt, szereld össze teljesen a tűzhelyet. A felfogótálca legmélyebb pontjának kell a legközelebb esnie a fedélhez.

## **FONTOS INFORMÁCIÓ A GÁZPATRONOKRÓL.**

- A készüléket kizárólag egyszer használatos Primus 100 g-os, 230 g-os, illetve 450 g-os patronnal szabad használni (a megfelelő patronokon a 2202XX, 2206XX vagy 2207XX megjelölés szerepel).
- A különböző újratölthető patronokhoz különböző adapterek használandók. Amennyiben gondosan betartod a rájuk vonatkozó instrukciókat, más adaptereket is beszerezhetsz, illetve magad is kicserélheted a gázáram-szabályozó alkatrészeit. Ha nem ehhez a tűzhelyhez készült gázipatront próbálsz meg behelyezni, az veszélyes lehet.

# SWOBODA ODKRYWANIA.

Od momentu powstania firmy Primus w 1892 roku nasi szwedzcy inżynierowie zdobyli międzynarodowe uznanie w zakresie projektowania kuchenek turystycznych dla odkrywców i poszukiwaczy przygód. To nasza prawdziwa pasja do przygody i rozwiązań technicznych jest źródłem sukcesu innowacji Primus od 130 lat. To pasja i powołanie, które wciąż w nas płoną.

Bez względu na to, jaka przygoda na Ciebie czeka, chcemy wyposażać Cię w funkcjonalną i niezawodną kuchenkę turystyczną, która będzie Twoim cennym towarzyszem na całe życie. Dlatego testujemy każdą kuchenkę turystyczną – indywidualnie, ręcznie – zanim opuści nasz nowoczesny zakład produkcyjny w Europie. Dzięki temu możemy utrzymać wysoką jakość i funkcjonalność, których wymagamy od naszych produktów. Prosimy więc o uważne zapoznanie się z niniejszą instrukcją i upewnienie się, że gotowanie jest tak bezpieczne, zabawne i smaczne, jak powinno być.

Ciesz się jedzeniem – ciesz się życiem na świeżym powietrzu!



# KILKA SŁÓW O BEZPIECZEŃSTWIE.

Ponieważ mamy do czynienia z substancjami łatwopalnymi, przed rozpoczęciem chcielibyśmy zwrócić uwagę na kilka ważnych kwestii.

- ▶ Ważne: Należy przeczytać uważnie niniejszą instrukcję, aby zapoznać się z urządzeniem przed podłączeniem go do pojemnika z gazem. Zachować instrukcję do wykorzystania w przyszłości.
- ▶ Używać tylko w dobrze wentylowanym obszarze.
- ▶ Sprawdzać uszczelki i połączenia przy każdym użyciu kuchenki turystycznej. (patrz rozdział „Przed rozpaleniem”). Nie używać urządzenia, jeśli ma uszkodzone lub zużyte uszczelki.
- ▶ Pojemnik z gazem wymieniać na zewnątrz i z dala od ludzi. Sprawdzanie przepływu gazu przez regulator i palniki musi odbywać się na zewnątrz i z dala od otwartego ognia.
- ▶ Upewnić się, że kuchenka nie jest używana w pobliżu żadnego łatwopalnego materiału, gazu lub płynów. Podczas użytkowania odległość od jakiegokolwiek dachu musi wynosić co najmniej 1250 mm, a od dowolnej ściany 500 mm.
- ▶ Nigdy nie należy zostawiać zapalanej kuchenki turystycznej bez nadzoru i zawsze należy upewnić się, że materiały łatwopalne są trzymane z dala od kuchenki podczas jej używania.
- ▶ Nie modyfikować urządzenia. W przypadku samodzielnego montażu dostępnych do zamówienia części zamiennych należy postępować ostrożnie i zgodnie z instrukcją.
- ▶ Przed umieszczeniem kuchenki turystycznej w miejscu przechowywania należy upewnić się, że wszystkie jej elementy są czyste i suche. Kartusz gazowy nigdy nie może być podłączony do kuchenki podczas jej przechowywania. Kartusz gazowy należy przechowywać w suchym i bezpiecznym miejscu, z dala od bezpośredniego światła słonecznego lub temperatur przekraczających 50°C.
- ▶ Niniejszą instrukcję należy zachować do późniejszego wykorzystania.

# OBJAŚNIENIE RYSUNKU

---

## PRZEGLĄD I SZCZEGÓŁY PRODUKTU

(ILUSTRACJE ZNAJDUJĄ SIĘ NA ZAKŁADCE PO LEWEJ STRONIE)

- |                         |                              |  |
|-------------------------|------------------------------|--|
| 1 Regulator             | 6 Uchwyt                     | 10 Połączenie gazowe – szczegółowy widok |
| 2 Pokrętko dozujące gaz | 7 Palnik                     | 11 Kąt uchwytu w pozycji otwartej        |
| 3 Tacka ociekowa        | 8 Kartusz gazowy             |  |
| 4 Podpórka do garnków   | 9 Gwinty na kartuszu gazowym |  |
| 5 Pokrywka              |                              |  |

---

## AKCESORIA I CZĘŚCI ZAMIENNE

(ILUSTRACJE ZNAJDUJĄ SIĘ NA ZAKŁADCE PO LEWEJ STRONIE)

- |   |   |
|---|---|
| A Wąż i regulator, nr części 738026         | D Gas Cartridge<br>100 g, nr części 220610, 220620, 220630.<br>230 g, nr części 220710, 220720, 220730.<br>450 g, nr części 220210, 220220. |
| B Adaptory                                  |   |
| C Patelnia do grillowania, nr części 738018 |   |

Sezonowe warianty gazu – letni i zimowy – są również dostępne jako akcesoria.

# KORZYSTANIE Z GAZU. Moja 350170

Ta kuchenka turystyczna jest przeznaczona do stosowania z gazem Primus propan/izobutan/butan w kartuszach z oznaczeniem 2202xx, 2206xx, 2207xx. (czerwony Power Gas, zielony Summer Gas lub brązowy Winter Gas). Można też użyć butli LPG pasującej do adapterów sprzedawanych oddzielnie jako wyposażenie dodatkowe.

- ▶ Zużycie gazu: 250 g/h/3,5 kW butanu pod ciśnieniem 1 bara. Lub 250 g/h/11 000 BTU/h butanu pod ciśnieniem 1,45 bara.
- ▶ Średnica otworu w dyszy palnika kuchenki turystycznej wynosi 0,37 mm.

## SPRAWDZANIE KUCHENKI

**TURYSTYCZNEJ. WAŻNE:** W przypadku nieszczelności urządzenia (czuć zapach gazu) natychmiast wynieść pojemnik na zewnątrz do dobrze wentylowanego miejsca bez ognia, gdzie nieszczelność może zostać zlokalizowana i usunięta. Szczelność urządzenia należy sprawdzać na zewnątrz. Nie próbować wykrywać nieszczelności za pomocą ognia. Używać wody z mydłem. Aby nabyć części zamienne, należy skontaktować się z firmą Primus lub lokalnym sprzedawcą części zamiennych. Dane kontaktowe znajdują się na ostatniej stronie tej instrukcji obsługi.

1. Zwracać uwagę na zapach lub dźwięk ulatniającego się gazu. **8** W przypadku braku pewności należy umieścić trochę wody z mydłem na połączeniu z kartuszem gazowym. Jeśli pojawią się pęcherzyki powietrza, gaz się ulatnia – NIE MOŻNA uruchamiać kuchenki!

2. Pokrętła dozujące gaz **2** kuchenki turystycznej muszą być zamknięte (aby zamknąć, obrócić zgodnie z ruchem wskazówek zegara) przed podłączeniem kartusza gazowego.
3. Przed podłączeniem nowego kartusza gazowego należy sprawdzić uszczelki. **1** Nie używać urządzenia, jeśli ma uszkodzone lub zużyte uszczelki.
4. Gwinty zarówno na kartuszu gazowym, jak i regulatorze **9** muszą być nienaruszone. Jeśli są uszkodzone w jakikolwiek sposób lub krzywe, należy wymienić kartusz gazowy. Jeśli regulator jest uszkodzony, NIE UŻYWAĆ kuchenki. Zamówić nowy wąż i regulator – patrz Akcesoria na bocznej zakładce.
5. Sprawdzić, czy wąż nie jest poskręcany ani zgnieciony. Unikać skręcania węża elastycznego. Podnieść podporę patelni **4** i tackę ociekową **3**, aby upewnić się, że wąż i złącze są odpowiednio wyregulowane. Maksymalna długość wykorzystywanego węża: 2000 mm.

## PRZYGOTOWYWANIE KUCHENKI TURYSTYCZNEJ. WAŻNE:

Upewnić się, że kuchenka turystyczna znajduje się na stabilnej i płaskiej powierzchni, a w pobliżu nie ma łatwopalnego materiału. Sprawdzić stabilność! Jeśli kuchenka zostanie przechylona, gdy znajdują się na niej garnki, istnieje ryzyko oparzenia gorącymi płynami.

1. Ustawić kuchenkę na boku z uchwytem **6** maksymalnie podniesionym. Odlączyć regulator **1** i wąż od otworu na spodzie kuchenki.
2. Postawić kuchenkę na płaskiej powierzchni.
3. Otworzyć pokrywę kuchenki, przechylając uchwyt o 90° **11**. Ważne jest, aby uchwyt był skierowany pionowo w górę, w przeciwnym razie nie będzie można otworzyć pokrywy. Podnieść pokrywę, aż do oporu.

4. Podczas transportu podpora patelni znajduje się **4** w odwróconej pozycji. Obrócić podporę patelni tak, aby szorstkie boki znajdowały się u góry, w kierunku garnka. Upewnić się, że metalowe trzpienie na krawędziach znajdują się w otworach tacki ociekowej **3**.
5. Podłączyć kartusz gazowy do regulatora, przykręcając go płynnym ruchem, aż do oporu. **9**  
Wykonać to ręcznie – NIE UŻYWAĆ kombinerek ani innych podobnych narzędzi.
6. Upewnić się, że kartusz gazowy jest wyrównany z regulatorem w górę **1**. Sprawdzić, czy w miejscu połączenia między regulatorem i kartuszem gazowym nie ulatnia się gaz. Użyć do tego wody z mydłem, zgodnie z opisem w sekcji „Przed rozpaleniem”.

## **ROZPALANIE KUCHENKI TURYSTYCZNEJ. WAŻNE:** POD ŻADNYM POZOREM NIE PRZENOSIĆ kuchenki turystycznej, gdy jest zapalona, zarówno z garnkami, jak i bez. Jeśli wiatr powoduje, że płomień dostają się pod palnik, wyłączyć kuchenkę i przenieść ją w bardziej osłonięte miejsce.

1. Przekręcić pokrętło dozowania gazu **2** około jednego obrotu w kierunku przeciwnym do ruchu wskazówek zegara i zapalić palnik za pomocą długiej zapalki, zapalniczki lub podobnego narzędzia.
2. Po zapaleniu gazu płomień i dopływ ciepła można regulować za pomocą pokrętła. Gaz powinien palić się równomiernym płomieniem, prosto w górę.
3. Po zapaleniu gazu położyć gamek lub patelnię na kuchenie.

## **WYŁĄCZANIE KUCHENKI.** WAŻNE: Nie pakować kuchenki przed ostygnięciem palników i podpory patelni. Przed odłączeniem kartusza gazowego sprawdzić, czy palniki zgasły.

1. Wyłączyć kuchenkę, przekręcając pokrętkę dozowania gazu zgodnie z ruchem wskazówek zegara do pozycji stop. Gdy płomień zgaśnie, zawór jest zamknięty, a przepływ gazu został zatrzymany. Nie używać nadmiernej siły przy wyłączaniu, ponieważ mogą wystąpić problemy przy następnym uruchomieniu.
2. Po całkowitym zakończeniu pracy kuchenki palnik **7** zostały wyłączone, odkręcić kartusz gazowy **8** od regulatora **1** i umieścić regulator w gnieździe na spodzie kuchenki.
3. Obrócić podpory patelni, zamknąć pokrywę **5** uchwyt **11** do pierwotnej pozycji.

## **KONSERWACJA KUCHENKI TURYSTYCZNEJ.** WAŻNE: Regularne czyszczenie i przeglądy przedłużą żywotność kuchenki. Nie należy próbować samodzielnie naprawiać gwintów ani zaworów w kartuszach gazowych lub regulatorze. Jeśli kuchenka wymaga naprawy, należy skontaktować się z firmą Primus. Dane kontaktowe znajdują się na ostatniej stronie tej instrukcji obsługi.

1. Usunąć podporę patelni. **4** Podnieść tackę ociekową **3** Tacka ociekowa może być czyszczona zarówno w zmywarce, jak i ręcznie.
2. Pozostałą część kuchenki należy wytrzeć czystą ściereczką i łagodnym środkiem czyszczącym, np. płynem do mycia naczyń.

3. Sprawdzić drewniane części. Jeśli były mokre, ale już wyschły, warto je pokryć olejem.
4. Po całkowitym wyschnięciu zmontować kuchenkę. Najgłębsza część tacki ociekowej powinna znajdować się najbliżej pokrywy.

## **WAŻNE INFORMACJE DOTYCZĄCE KARTUSZY GAZOWYCH.**

- To urządzenie może być używane wyłącznie z jednorazowymi kartuszami gazowymi Primus o pojemności 100 g, 230 g lub 450 g (oznaczonymi odpowiednio 2202XX, 2206XX i 2207XX).
- Różne adaptery są stosowane do różnych typów butli wielokrotnego użytku. Można nabyć inne adaptery i wymienić elementy regulatora samodzielnie, postępując uważnie, zgodnie z dołączoną do nich instrukcją. Montowanie kartuszy gazowych nieprzeznaczonych do tej kuchenki turystycznej może być niebezpieczne.

# SVOBODA RAZISKOVANJA

Vse od svoje ustanovitve leta 1892 je družba Primus, s svojimi švedskimi inženirji, svetovno znana kot izdelovalec kuhalnikov za raziskovalce in avanturiste. Za uspeh družbe Primus in njenih inovacij že 130 let je zagotovo zaslužno naše navdušenje za popotniški avanturizem in naše iskanje tehničnih rešitev za popotnike in raziskovalce. To je naša strast in naša poklicanost.

Za vsako daljše ali krajše, težje ali lažje avanturistično potovanje, na katero se odpravljate, vas želimo opremiti s funkcionalnim in zanesljivim kuhalnikom, ki bo vaš dragoceni spremljevalec še vrsto let. Zato lastno-ročno preizkusimo prav vsak kuhalnik, ki zapusti našo visokotehnološko tovarno v Evropi. Na tak način ohranjamo visoko raven kakovosti in funkcionalnosti, ki jo zahtevamo od svojih izdelkov. Zato natančno preberite ta priročnik in si zagotovite varno kuhanje, okusne jedi in se boste med kuhanjem še zabavali.

Uživajte v hrani – uživajte v življenju na prostem!



## **NEKAJ BESED O VARNOSTI.** Ker gre za zelo vnetljive snovi, bi vas radi že takoj na začetku opozorili na nekaj pomembnih podrobnosti.

- ▶ Pomembno: Natančno preberite ta navodila za uporabo in se seznanite z napravo, preden jo privijete na plinsko posodo. Ta navodila shranite za poznejšo uporabo.
- ▶ Uporabljajte napravo izključno v dobro prezračevanem prostoru.
- ▶ Preverite tesnila in spoje pred vsako uporabo kuhalnika. (Oglejte si poglavje »Pred prižigom«). Ne uporabljajte naprave, če so tesnila poškodovana ali obrabljena.
- ▶ Plinsko kartušo zamenjajte na prostem in ne v bližini ljudi. Preverjanje pretoka plina skozi regulator in gorilnik je treba izvajati na prostem in stran od odprtega ognja.
- ▶ Zagotovite, da pri uporabi kuhalnika v bližini ni vnetljivih materialov, plina ali tekočin. Ko je naprava v uporabi, mora razdalja do strehe znašati najmanj 1250 mm in do stene 500 mm.
- ▶ Prižganega kuhalnika ne puščajte nenadzorovanega in vedno zagotovite, da v bližini prižganega kuhalnika ni vnetljivih materialov.
- ▶ Naprave ne spreminjajte. Natančno sledite navodilom za namestitvev rezervnih delov, če jih nameravate zamenjati sami.
- ▶ Ko kuhalnik shranjujete za dlje časa, morajo vsi sestavni deli biti čisti in suhi. Preden shranite kuhalnik za dlje časa, morate vedno odviti in ločiti plinsko kartušo od kuhalnika. Plinsko kartušo hranite na suhem in varnem mestu, ki ni izpostavljeno neposredni sončni svetlobi in temperaturam, višjim od 50 °C.
- ▶ Shranite ta navodila, da jih boste lahko ponovno prebrali, ko jih boste potrebovali.

# RAZLAGA ILUSTRACIJ

---

## PRIKAZ IZDELKA IN PODATKI O IZDELKU

(OGLEJTE SI ILUSTRACIJE NA LEVEM ZAVIHKU)

- |   |                     |    |   |    |                               |
|---|---------------------|----|---|----|-------------------------------|
| 1 | Regulator           | 6  | Ročica                                  | 11 | Kot ročice v odprtem položaju |
| 2 | Gumb za dovod plina | 7  | Gorilnik                                |    |                               |
| 3 | Odcejalna plošča    | 8  | Plinska kartuša                         |    |                               |
| 4 | Nosilci za lonec    | 9  | Navoji na plinski kartuši               |    |                               |
| 5 | Pokro               | 10 | Spoj dovoda plina –<br>podroben pregled |    |                               |

---

## DODATKI IN REZERVNI DELI

(GLEJTE ILUSTRACIJE NA LEVEM ZAVIHKU)

- |   |  |   |   |
|---|--|---|---|
| A | Gumijasta cev in regulator, del št. 738026 | D | Gas Cartridge<br>100 g, del št. 220610, 220620, 220630.<br>230 g, del št. 220710, 220720, 220730.<br>450 g, del št. 220210, 220220. |
| B | Adapterji                                  |   |   |
| C | Ponev za pečenje na žaru, del št. 738018   |   |   |

Sezonski plinski mešanici – poletna ali zimska –  
so na voljo tudi kot dodatek.

# UPORABA PLINA Moja 350170

Ta kuhalnik je namenjen uporabi s Primus plinsko mešanico propan/izobutan/butan v kartušah z oznakami 2202xx, 2206xx, 2207xx. (Rdeča, zmogljivi plin; zelena, poletni plin; ali rjava, zimski plin). Obstaja tudi možnost uporabe plinske jeklenke LPG, ki ustreza adapterjem in se prodaja posebej kot dodatek.

- ▶ Poraba plina je 250 g/h / 3,5 kW, butan pri tlaku 1 bar. Ali 250 g/h / 11000 BTU/h (Btu = britanska toplotna enota), butan pri tlaku 1,45 barov.
- ▶ Premer šobe na gorilniku je 0,37 mm.

**PREVERJANJE KUHALNIKA. POMEMBNO:** Če naprava pušča (oddaja vonj po plinu), jo takoj prestavite na dobro prezračevano mesto na prostem in daleč stran od virov vžiga, na katerem lahko preverite uhajanje in ga ustavite. Če želite preveriti morebitno uhajanje plina na napravi, to storite na prostem. Ne preverjajte uhajanja s plamenom, temveč uporabite milnico. Za nadomestne dele se obrnite na Primus ali svojega lokalnega trgovca. Podatke za stik najdete na zadnji strani te brošure.

1. Uhajanje plina iz plinske kartuše preverjajte z vohanjem in poslušanjem. **8** Če niste prepričani, dajte na spoj med napravo in plinsko kartušo nekaj milnice. Če vidite mehurčke, to pomeni, da uhaja plin – **NE PRIZIGAJTE** kuhalnika!
2. Preden privijete plinsko kartušo, morate zapreti kontrolne gumbce za dovod plina **2** na kuhalniku (obrnite jih do konca v smeri urnega kazalca).

3. Preverite tesnila, preden privijete novo plinsko kartušo na napravo. **1** Ne uporabljajte naprave, če so tesnila poškodovana ali obrabljena.
4. Navoji na plinski kartuši in regulatorju **9** morajo biti brezhibni; če so navoji kakor koli poškodovani, ali se ne nalegajo pravilno, zamenjajte plinsko kartušo; če je ventil poškodovan, kuhalnika **NE UPORABLJAJTE**. Naročite novo gumijasto cev in regulator – podatki so na voljo v poglavju »Dodatki« na stranskem zavihku.
5. Preglejte cev (in se prepričajte, da ni upognjena ali stisnjena. Preprečite sukanje gumujaste cevi). Dvignite nosilec za ponev **4** in odcejalni pladenj, **3** da zagotovite, da sta gumujasta cev in priključek pravilno nameščena. Največja možna dolžina cevi: 2000 mm.

**PRIPRAVA KUHALNIKA. POMEMBNO:** Poskrbite, da kuhalnik stoji na stabilni, ravni površini in da v bližini ni vnetljivih snovi. Preverite stabilnost podlage! Če kuhalnik prevrnete med tem, ko so na njem lonci z vročo vsebino, tvegate opekline.

1. Položite kuhalnik na bok z ročico v **6** skrajni zgornji legi. Odstranite regulator **1** in gumijasto cev iz reže na spodnji strani.
2. Položite kuhalnik na ravno površino.
3. Odprite pokrov na kuhalniku tako, da ročico premaknete do kota 90° **11**. Pomembno je, da ročico obrnete naravnost navzgor, sicer se pokrova ne da odpreti. Dvignite pokrov do konca navzgor.
4. Pri prenašanju je nosilec za ponev **4** obrnjen z zgornjo stranjo navzdol. Obrnite nosilec za ponev tako, da so nazobčane strani obrnjene do konca navzgor, proti loncu. Prepričajte se, da so kovinski zatiči na robovih vstavljeni in odprti na odcejalnem pladnju **3**.

5. Pritrdite plinsko kartušo na regulator tako, da jo privijete z odločnimi in neprekinjenimi gibi do konca. **9** To naredite ročno – NE UPORABLJAJTE klešč ali podobne priprave.
6. Preverite in zagotovite, da je plinska kartuša uravnana z regulatorjem obrnjenim navzgor **1**. Preverite in se prepričajte, da iz spoja med regulatorjem in plinsko kartušo ne uhaja plin. Uporabite milnico, kot je opisano v poglavju »Pred prižigom«, če domnevate, da plin uhaja.

## **PRIŽIGANJE KUHALNIKA. POMEMBNO:**

V NOBENEM PRIMERU NE PREMKAJTE kuhalnika, ko je prižgan, ne glede na to, ali so na njem lonci ali ne. Če veter potiska plamene navzdol, pod gorilnik, kuhalnik ugasnite in ga premaknite na mesto, ki je bolj zaščiteno pred vetrom.

1. Obrnite gumb za dovod plina **2** za en obrat v smeri nasprotni od urnega kazalca in prižgite gorilnik z dolgo vžigalico, žepnim vžigalnikom ali podobnim.
2. Ko je plin prižgan, prilagodite velikost plamena in dovod toplote z gumbom za dovod plina. Plin mora goreti navpično navzgor z enakomernim plamenom.
3. Ko je plin prižgan, položite lonec ali ponev na kuhalnik.

## **UGAŠANJE KUHALNIKA.** POMEMBNO: Kuhalnika ne smete spakirati, dokler se gorilnika in nosilci za ponev ne ohladijo. Preverite, ali sta gorilnika ugasnjena, preden odvijete plinsko posodo.

1. Ugasnite kuhaličnik tako, da zavrtite gumb za dovod plina v smeri urnega kazalca do položaja 'Stop'. Ventil je zaprt in dotok plina je prekinjen, ko plamen ugasne. Ne uporabljajte čezmerne sile pri zapiranjju dovoda plina; obstaja nevarnost težav, ko boste naslednjič skušali odpreti dovod.
2. Ko popolnoma končate uporabo kuhalnika, in gorilnik **7** ugasnjena, odvijte plinsko kartušo **8** z regulatorja **1** in postavite regulator v režo na spodnji strani kuhalnika.
3. Obrnite nosilce poneve, zaprite pokrov, **5** in povlecite ročico nazaj **11** v ustrezen položaj.

## **VZDRŽEVANJE KUHALNIKA.** POMEMBNO:

Redno čiščenje in pregledovanje bo podaljšalo življenjsko dobo vašega kuhalnika. Ne skušajte sami popravljati navojev vijakov, ventilov na plinskih kartušah ali regulatorja. Če je treba kuhaličnik popraviti, se obrnite na družbo Primus. Podatke za stik najdete na zadnji strani te brošure.

1. Odstranite nosilec za ponev. **4** Dvignite odcejalni pladenj **3** Odcejalni pladenj se lahko pomiva v pomivalnem stroju ali ročno.
2. Kuhaličnik čistite s krpo in blagim čistilom, npr. sredstvom za pomivanje posod.
3. Preglejte lesene dele. Če so ti bili mokri in so se zdaj posušili, jih rahlo namažite z oljem.
4. Ponovno sestavite kuhaličnik, ko je popolnoma suh. Najgloblji del odcejalnega pladnja mora biti najbližje pokrovu.

# POMEMBNE INFORMACIJE V ZVEZI S PLINSKIMI KARTUŠAMI.

- Ta naprava se sme uporabljati samo z eno izmed plinskih kartuš za enkratno uporabo znamke Primus, s količino plina 100 g, 230 g ali 450 g (ki so označene z oznakami 2202xx, 2206xx in 2207xx, po navedenem vrstnem redu).
- Za različne vrste kartuš, ki se lahko ponovno napolnijo, se uporabljajo različni adapterji. Lahko si nabavite druge adapterje in sami zamenjate sestavne dele regulatorja, če natančno sledite priloženim navodilom. Privijanje plinskih kartuš, ki niso posebno izdelane za ta kuhalnik, je lahko nevarno.

# Простор для исследований.

С момента основания компании Primus в 1892 году наши шведские инженеры получили международное признание за проектирование плиток для исследователей и путешественников. Именно наша истинная страсть к приключениям и разработке технических решений в 130 лет является основной причиной успеха предлагаемых компанией Primus инноваций. Мы до сих пор отдаем себя без остатка этой страсти и призванию.

Вне зависимости от сложности предпринимаемого путешествия мы стремимся предоставить Вам полнофункциональную и надежную плитку, которая станет Вашим ценным спутником на всю жизнь. Вот почему мы проводим отдельные испытания каждой плитки вручную перед отгрузкой с нашего высокотехнологичного предприятия в Европе. Это позволяет нам поддерживать высочайший уровень качества и функциональности в соответствии с предъявляемыми к нашей продукции требованиями. Поэтому внимательно прочтите настоящее руководство, чтобы насладиться безопасностью, удовольствием в ходе приготовления пищи и истинным вкусом готовых блюд.

Наслаждайтесь своей пищей — наслаждайтесь жизнью на свежем воздухе!



# НЕСКОЛЬКО СЛОВ О БЕЗОПАСНОСТИ.

Поскольку Вам придется иметь дело с легковоспламеняющимися веществами, перед началом работы необходимо довести до Вашего сведения несколько важных замечаний.

- Важно: внимательно прочтите настоящее руководство по эксплуатации, чтобы ознакомиться с устройством перед его подключением к газовому баллону. Руководство необходимо сохранить для использования в будущем.
- Эксплуатировать плитку только в хорошо проветриваемом месте.
- При каждом использовании плитки проверять состояние уплотнителей и соединений (см. раздел «Проверки перед поджигом»). Запрещается использовать устройство при наличии повреждений или износе уплотнителей.
- Замена газового баллона производится снаружи, на удалении от людей. Проверка потока газа через горелки проводится вне помещения, на удалении от источников открытого пламени.
- Убедитесь, что плитка не используется вблизи воспламеняющихся материалов, газов или жидкостей. При использовании соблюдать следующие минимальные расстояния: от крыши — 1250 мм, от любой стены — 500 мм.
- Категорически запрещается оставлять работающую плитку без присмотра; обязательно следить за тем, чтобы воспламеняющиеся материалы находились на удалении от работающей плитки.
- Запрещается вносить изменения в конструкцию устройства. Тщательно следуйте указаниям по установке заказанных запасных частей, если собираетесь произвести замену самостоятельно.
- При помещении плитки на хранение проверять, чтобы все ее компоненты были чистыми и сухими. Категорически запрещается подключать газовый баллон к плитке во время хранения. Газовый баллон хранится отдельно в сухом и безопасном месте, защищенном от попадания прямых солнечных лучей или воздействия температур выше +50°C.
- Сохраните настоящее руководство для последующего использования по мере необходимости.

# Элементы конструкции на рисунке

---

## ОБЗОР ПРОДУКТА & ИНФОРМАЦИЯ О ПРОДУКТЕ

(м. иллюстрацию на клапане слева)

- |   |                              |   |                |    |   |
|---|------------------------------|---|----------------|----|---|
| 1 | Регулятор                    | 5 | Крышка         | 10 | Газовая муфта –<br>подробный вид            |
| 2 | Ручка подачи газа            | 6 | Ручка          | 11 | Угол наклона ручки в положении<br>«открыто» |
| 3 | Поддон для сбора<br>жидкости | 7 | Горелка        |    |   |
| 4 | Опора для котелка            | 8 | Газовый баллон |    |   |
|   |                              | 9 | Опоры          |    |   |

---

## ВСПОМОГАТЕЛЬНЫЕ ПРИНАДЛЕЖНОСТИ & ЗАПАСНЫЕ ЧАСТИ

(м. иллюстрацию на клапане слева)

- |   |   |   |   |
|---|---|---|---|
| A | Шланг с регулятором,<br>деталь № 738026 | D | Газовый баллон<br>100 g, деталь № 220610, 220620, 220630.<br>230 g, деталь № 220710, 220720, 220730.<br>450 g, деталь № 220210, 220220. |
| B | Адаптеры                                |   |   |
| C | Конфорка для жарки,<br>деталь № 738018  |   | Сезонные газовые смеси — для летнего и зимнего<br>периода — также доступны в качестве вспомогательных<br>принадлежностей.               |

# ИСПОЛЬЗОВАНИЕ ГАЗА МОДЕЛЬ MOJA 350170

Данная плитка предназначена для использования с производимыми компанией Primus газовыми баллонами (пропан/изобутан/бутан) с маркировкой 2202xx, 2206xx, 2207xx. (Красный — топливный газ, зеленый — летняя смесь или коричневый — зимняя смесь). Как вариант, баллон с СНГ подсоединяется к плитке через переходники, продаваемые отдельно в качестве вспомогательной принадлежности.

- Расход газа составляет 250 г/ч/3,5кВт по бутану с давлением 1 бар или 1100 БТЕ/ч по бутану с давлением 1,45 бар.
- Диаметр отверстия сопла горелки составляет 0,37 мм.

## ПРОВЕРКА ПЛИТКИ.

**Важно:** При наличии утечки в устройстве (чувствуется запах газа) немедленно вынести его на открытый воздух в хорошо проветриваемое место без источников открытого пламени, где имеется возможность обнаружить и устранить утечку. При необходимости проверки устройства на предмет утечек такие проверки проводятся вне помещений. Не пытайтесь обнаружить утечки при помощи пламени, используйте мыльную воду. Для заказа запасных частей обращайтесь в компанию Primus или к местному дилеру. Контактные данные приведены на последней странице настоящего буклета-руководства.

1. Нужно понюхать или послушать газовый баллон для определения возможных утечек. **8** В случае неопределенности можно произвести проверку с использованием мыльной воды, нанеся ее на патрубок подключения к газовому баллону. При появлении пузырьков имеется утечка газа — плитку **ЗАПРЕЩЕНО ПОДЖИГАТЬ!**
2. Регуляторы подачи газа на плитке должны быть закрыты **2** (для этого их нужно повернуть по часовой стрелке) перед подключением газового баллона.
3. Проверять уплотнители перед подключением нового газового баллона к устройству **1**. Запрещается использовать устройство при наличии повреждений или износе уплотнителей.
4. Резьба на газовом баллоне и клапане **9** не должна иметь повреждений. При наличии любых повреждений или перекосов резьбы требуется замена газового баллона; в случае повреждения клапана использование плитки **ЗАПРЕЩЕНО**. Необходимо заказать новый шланг и регулятор — см. Перечень вспомогательных принадлежностей на боковом клапане.
5. Осмотрите шланг (он не должен иметь изломов или следов сдавливания; перекручивание гибкого шланга не допускается) на предмет отсутствия повреждений. Поднимите опору для котелка **4** и поддон для сбора жидкости **3** надлежащим образом закрепите шланг и соединитель. Максимальная допустимая длина шланга: 2000 мм

## **ПОДГОТОВКА ПЛИТКИ К РАБОТЕ.**

**Важно:** Плитка устанавливается на разложенные опоры на устойчивой плоской поверхности, вдали от воспламеняющихся материалов. Проверьте устойчивость! При опрокидывании плитки с установленными на нее котелками или прочей посудой для приготовления пищи существует опасность получения ожогов горячими жидкостями.

1. Положите плитку на бок; при этом ручка должна находиться в крайнем верхнем положении **6**. Извлеките регулятор **1** и шланг из углубления в днище.
2. Установите плитку на плоскую поверхность.

3. Откройте крышку плитки, установив ручку под углом  $90^\circ$  **11**. Необходимо, чтобы ручка была направлена точно вверх, иначе крышку будет невозможно открыть. Поднимите крышку настолько возможно.
4. В положении транспортировки опора для котелка перевернута **4**. Переверните опору так, чтобы необработанные края были направлены вверх, в сторону котелка. Убедитесь, что металлические штифты по краям заходят в отверстия поддона для сбора жидкости **3**.
5. Подсоедините газовый баллон к регулятору, закрутив его до упора. **9** Данная операция проводится вручную — ЗАПРЕЩАЕТСЯ ИСПОЛЬЗОВАТЬ плоскогубцы или аналогичные инструменты.
6. Убедитесь, что газовый баллон установлен ровно, а регулятор расположен вверх **1**. Убедитесь, что в соединении между регулятором и газовым баллоном нет утечек газа. В отсутствие уверенности проведите проверку при помощи мыльной воды согласно разделу «Проверка перед поджигом».

**ПОДЖИГ ПЛИТКИ.** **Важно:** НИ ПРИ КАКИХ ОБСТОЯТЕЛЬСТВАХ НЕ ПЕРЕМЕЩАТЬ плитку с горящим пламенем, будь то с установленной посудой или без нее. Если пламя задувается ветром, следует отключить плитку и переместить ее в защищенное от ветра место.

1. Поверните ручку подачи газа **2** примерно на один оборот против часовой стрелки и зажгите горелку длинной спичкой, карманной зажигалкой или подобными устройствами.
2. После загорания газа можно регулировать интенсивность пламени и подвод тепла при помощи ручки подачи. Газовое пламя должно быть направлено строго вверх и сохранять устойчивость.
3. После поджига установите на плитку котелок или сковороду.

# ОТКЛЮЧЕНИЕ ПЛИТКИ.

**Важно:** Запрещается собирать плитку до полного остывания горелок и опор. Перед отключением газового баллона убедитесь, что горелки потушены.

1. Отключите плитку, повернув ручки подачи газа по часовой стрелке до упора. При угасании пламени закрывается клапан и прекращается подача газа. Запрещено прилагать чрезмерные усилия при отключении подачи газа, поскольку это может вызвать трудности при включении подачи в следующий раз.
2. Полностью закончив работу с плиткой **7** когда горелка выключена **8** отсоедините газовый баллон от регулятора **1** поместите регулятор в углубление дна плитки.
3. Поверните опоры плитки, закройте крышку **5**, и наклоните ручку крышки **11** в нужное положение.

# ТЕХНИЧЕСКОЕ ОБСЛУЖИВАНИЕ ПЛИТКИ.

**Важно:** Регулярная чистка и осмотр продлевают срок службы плитки. Не пытайтесь собственными силами ремонтировать резьбу на винтах или клапанах газовых баллонов или регулятора. При необходимости ремонта плитки обращайтесь в компанию Primus. Контактные данные приведены на последней странице настоящего буклета-руководства.

1. Снимите опору котелка **4**. Уберите поддон для сбора жидкости. **3**  
Поддон для сбора жидкости можно чистить вручную или мыть в посудомоечной машине.
2. Остальные детали плитки нужно тщательно протереть тканью, смоченной мягким чистящим средством (например, жидкостью для мытья посуды).
3. Осмотрите деревянные элементы. Если они были влажными и уже высохли, слегка смажьте их маслом.
4. После высыхания полностью соберите плитку. Днище поддона устанавливается под самую крышку.

## **ВАЖНАЯ ИНФОРМАЦИЯ ПО ГАЗОВЫМ БАЛЛОНАМ.**

- Настоящее устройство предназначено исключительно для использования с одноразовыми баллонами Primus массой 100 г, 230 г или 450 г (маркировка 2202xx, 2206xx и 2207xx, соответственно).
- Для разных типов многоразовых баллонов используются различные переходники. Можно использовать другие переходники и менять компоненты регулятора своими силами при условии тщательного соблюдения соответствующих указаний. Попытки подключения газовых баллонов, не предназначенных для использования с плиткой, могут представлять опасность.







