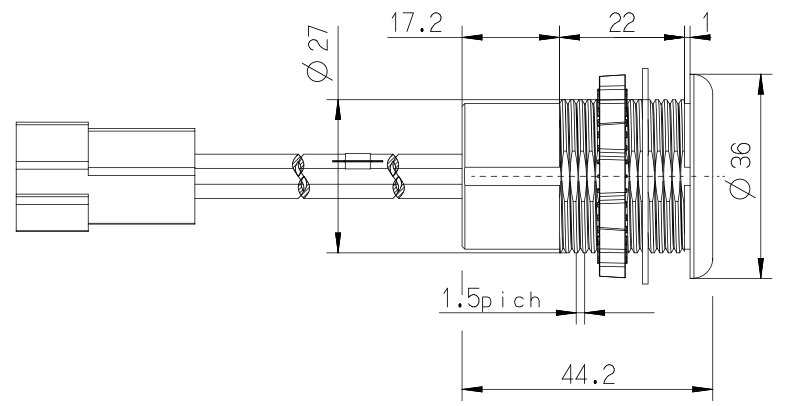
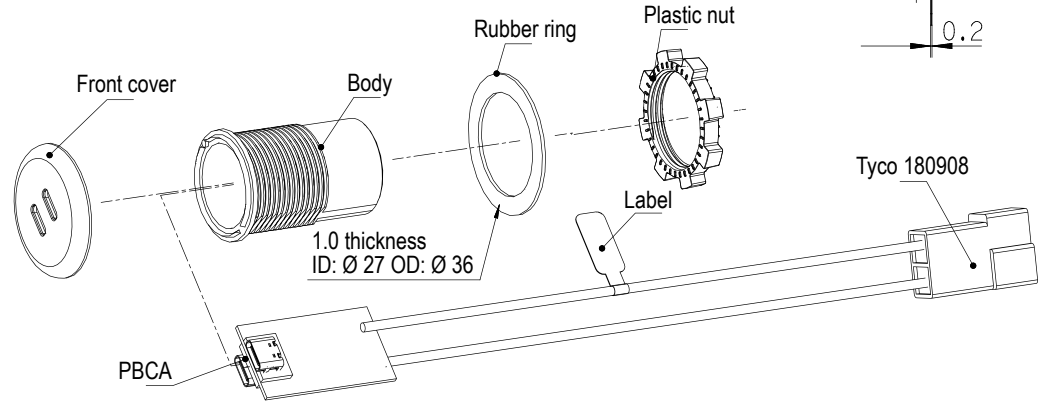
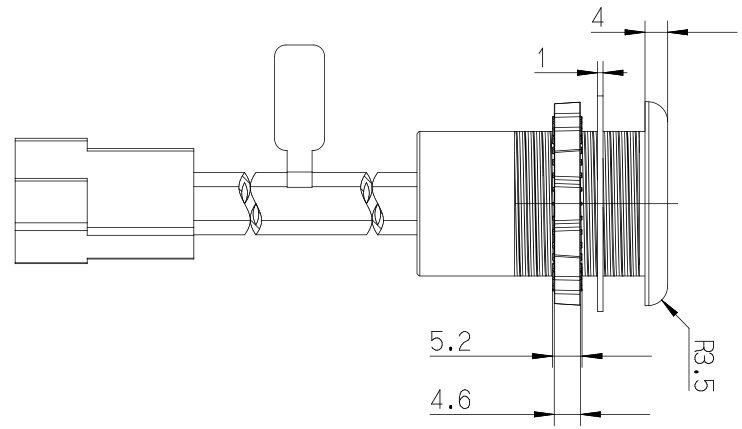
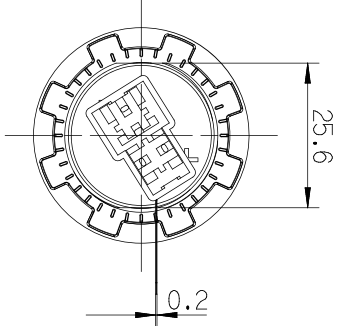
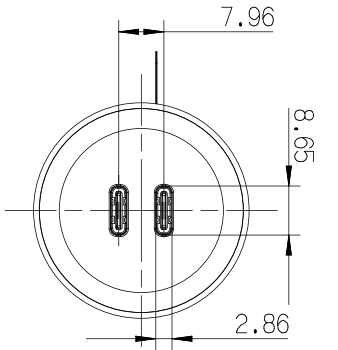
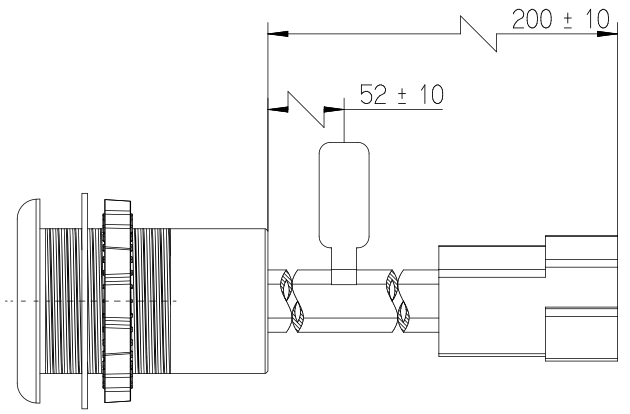


1 2 3 4 5 6 7 8 9 10 11 12 13 14

Dimensions

Outer diameter front: 36 mm
 Outer diameter: 27 mm
 Drill hole: 28 mm
 Depth housing: 40.2 mm
 Weight: 32.3 g



Änderungen		Datum	Name
Datum	Name	gez.: 29.04.2022	aw
		gepr.: 29.04.2022	sn
		Norm:	
Änderungen vorbehalten / Subject to change			

Bezeichnung
**WTS-E 2 C QC 3 PD +
 TYCO CONNECTOR**

Zeichnungs-Nr.:
61692



Blatt
1/2
 von

1 2 3 4 5 6 7 8 9 10 11 12 13 14

A

USB-Charger 2x Type C

- The Type C PD & QC3.0 ports are compatible with most devices including the MacBook Pro, iPhone models, Samsung Note and Galaxy S models
- With built-in fuse 6 A / 32 V
- Protection against: short-circuit, overtemperature, overvoltage, undervoltage, overcurrent
- The Type C connector is rated for about 10,000 cycles of insertion and removal

B

C

Technical Data

Rated input voltage: 12-24 V $\overline{=}$
 Type C output 1: 5.0 V $\overline{=}$, 3.0 A, 15.0 W;
 9.0 V $\overline{=}$, 2.0 A, 18.0 W;
 12.0 V $\overline{=}$, 1.5 A, 18.0 W
 Type C output 2: 5.0 V $\overline{=}$, 3.0 A, 15.0 W;
 9.0 V $\overline{=}$, 2.0 A, 18.0 W;
 12.0 V $\overline{=}$, 1.5 A, 18.0 W
 Power output: 36.0 W max.
 Stand-by mode current: 5-7 mA
 Operating temperature: -20 °C ~ +70 °C
 Operating humidity: 10 % ~ 95 % RH
 Storage temperature: -40 °C ~ +90 °C
 Storage humidity: 10 % ~ 95 % RH

D

E

F

Supported protocols

Type C port: PPS, PD3.0, PD2.0, QC4.0, QC4+, QC3.0, QC2.0, AFC, FCP (Huawei), SCP, PE2.0, PE1.1, SFCP, BC1.2 DCP(Apple and Samsung)

G

H

Product Compliance

- CE (EN55032, EN55035, EN50498)
- UKCA
- Product Safety Standard EN62368
- RoHS, REACH
- E-mark E-57
- WEEE
- ESD EN61000-4-2 and ISO10605

Available variants

- 60377 with Tyco connector; cable length 200 mm
- 60378 with open cable ends; cable length 150 mm
- 60569 with white top cover and Tyco connector; cable length 200 mm
- 60570 with white top cover and open cable ends; cable length 150 mm

Photo

I

J

Änderungen

Datum	Name	gez.:	Datum	Name
		gez.:	29.04.2022	aw
		gepr.:	29.04.2022	sn
		Norm:		
Änderungen vorbehalten / Subject to change				

Bezeichnung

WTS-E 2 C QC 3 PD +
TYCO CONNECTOR

Zeichnungs-Nr.:

61692

wentronic
SOLUTIONS

Blatt

2/2

von