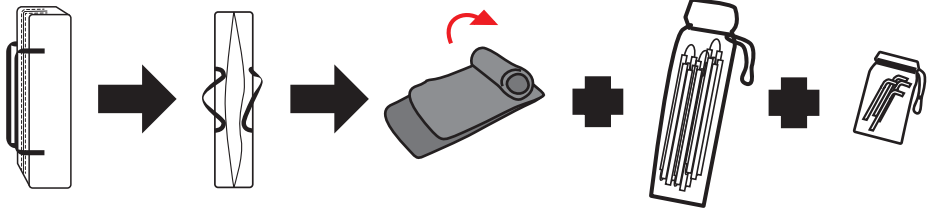
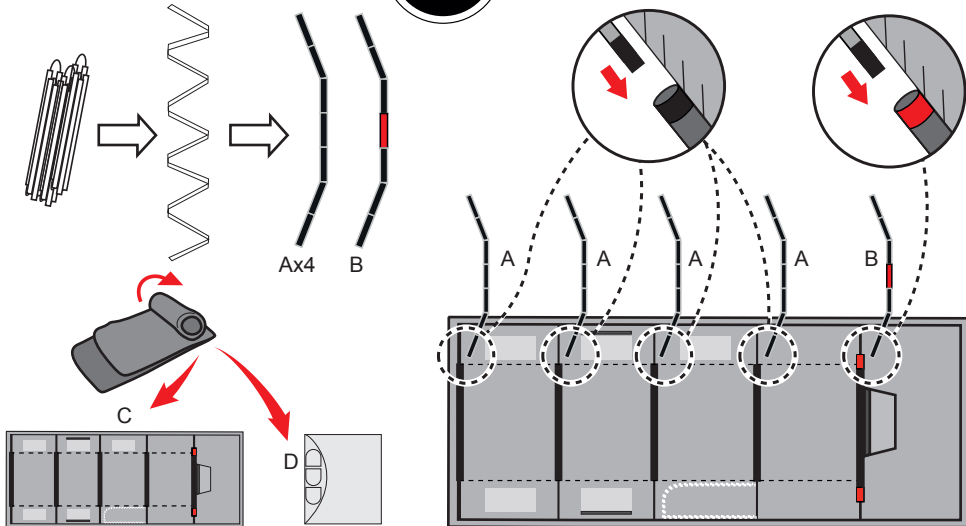


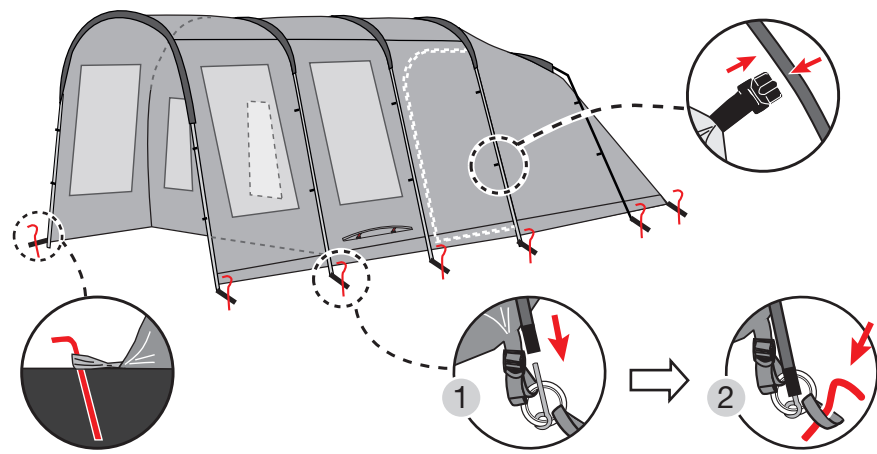
# 0 - CHECK LIST



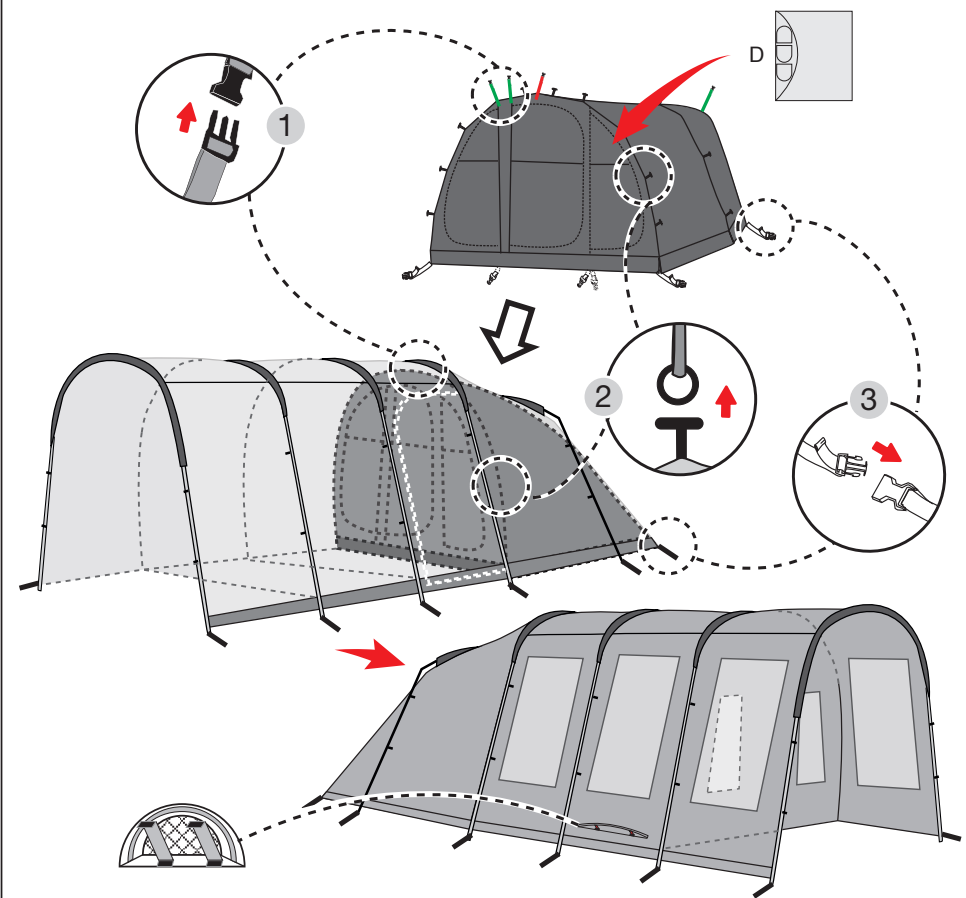
# 1 - SET UP



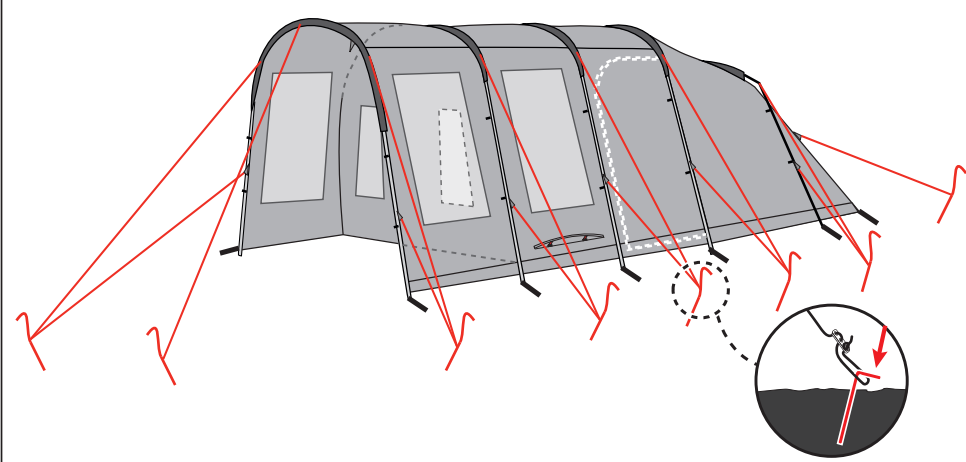
# 2 - SET UP



# 3 - SET UP

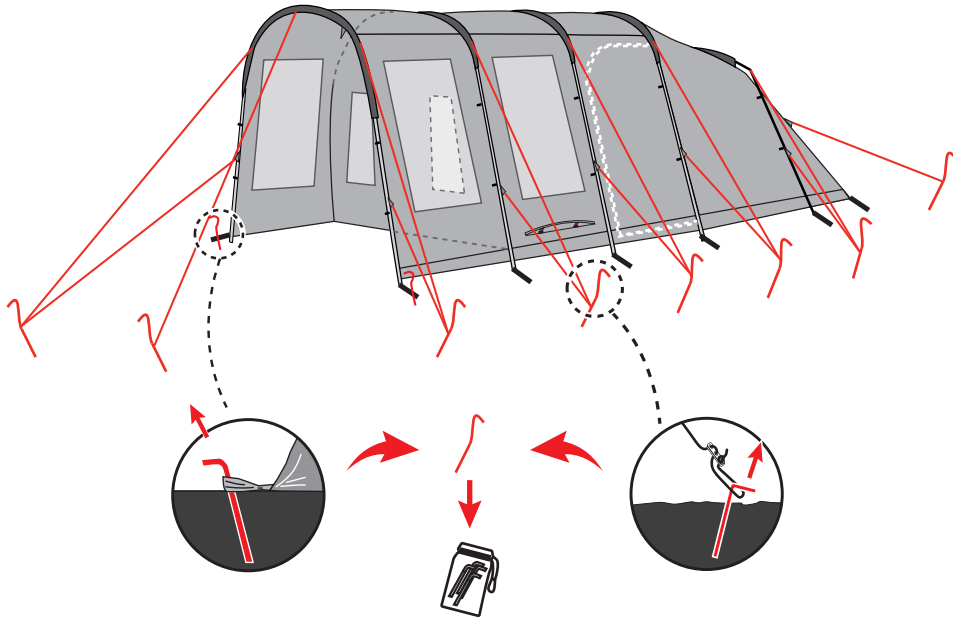


# 4 - SET UP

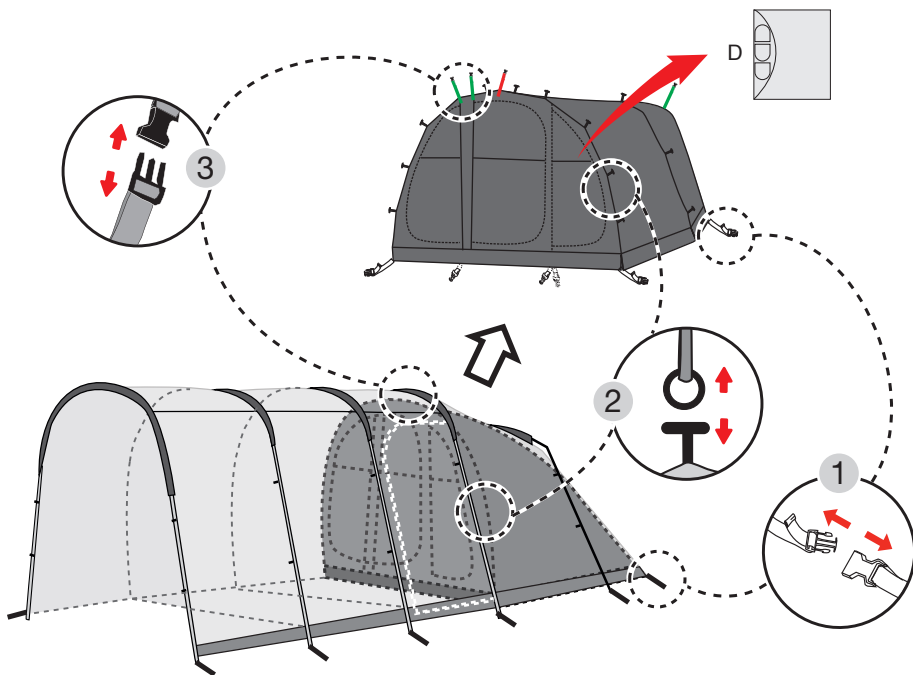


Stitch Line

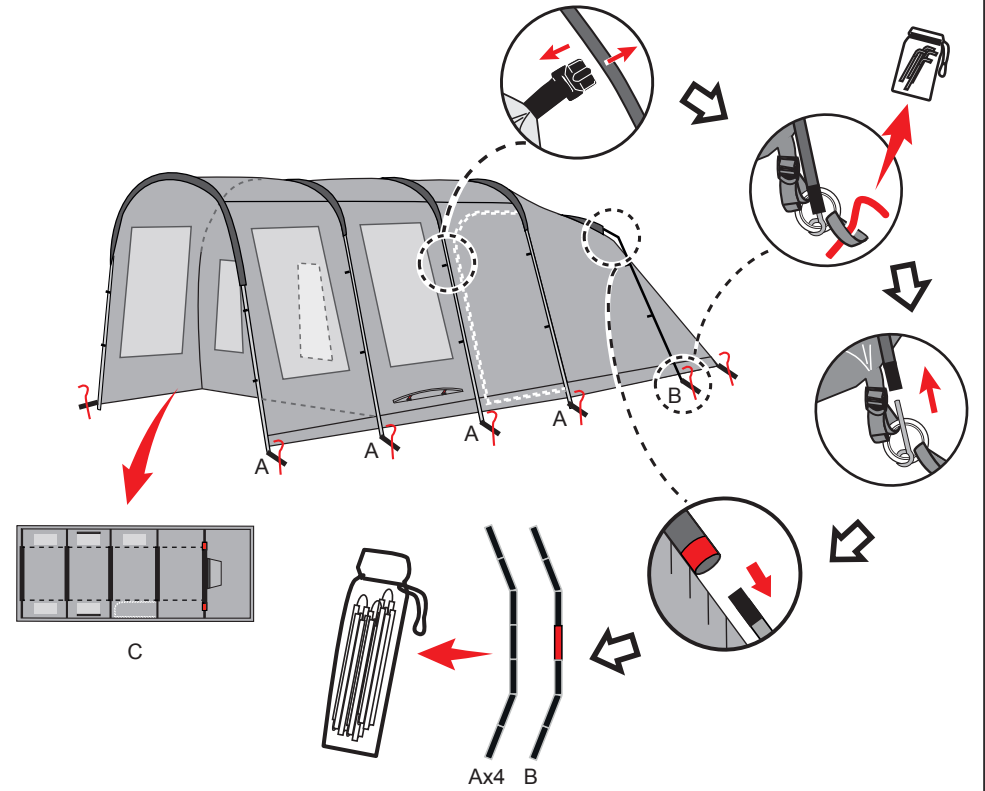
### 1 - SET DOWN



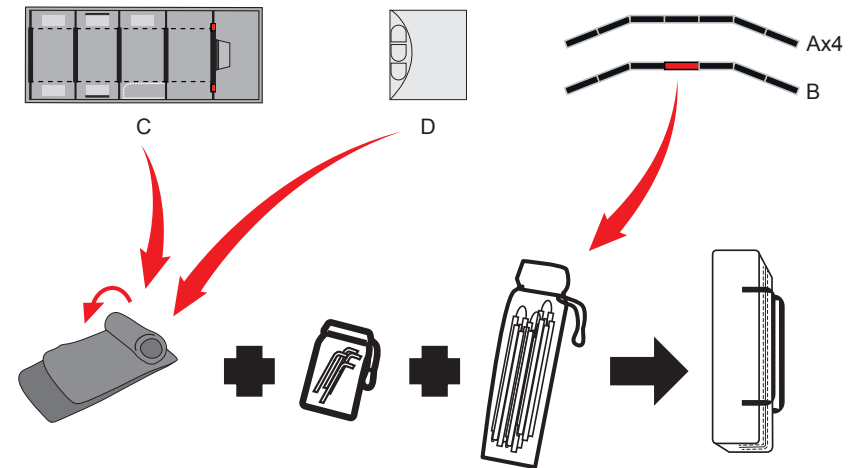
### 2 - SET DOWN



### 3 - SET DOWN



### 4 - SET DOWN



Stitch Line