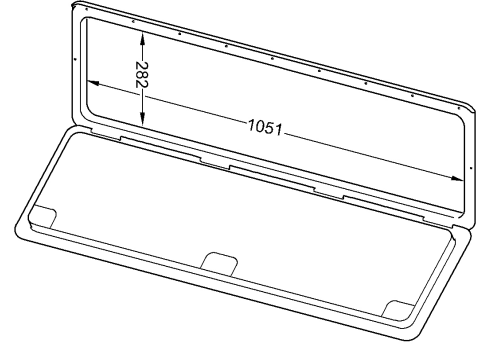
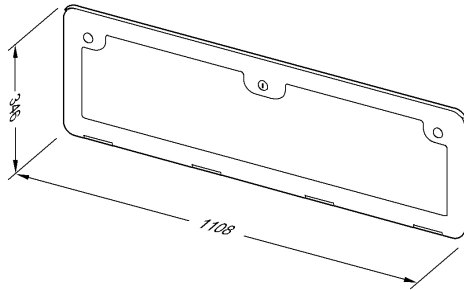




DOOR 7. PRODUCT INFORMATION SHEET



Model range	Service Door 7
Short product description	Service Door 7 is perfect for access to a storage area for large objects, like the camping table and chairs or to use as general luggage door. With Thetford Service Doors, you can create extra and easy access to certain areas in your caravan or motor home. All models are produced using high-grade, lightweight plastics, making them extremely durable.
General USP's	<ul style="list-style-type: none"> - Modern, streamlined appearance - Watertight and UV resistant - Double seal ensures optimum insulation - Special push-button locks allow the doors to be closed securely, so they can't spring open unexpectedly or be forced open - Easy self-installation: Thetford service doors are easy to install yourself, horizontally or vertically - An easy step-by-step guide is supplied along with a template for creating the opening in the vehicle wall - Thetford service doors are suitable for all walls with a thickness of between 23 and 39mm
Application	General luggage for large objects
Main dimensions (HxW) (mm)	346 x 1108
Daylight opening (HxW) (mm)	282 x 1051
Cut-out dimensions (HxW) (mm)	299 x 1069
Possible wall thickness (mm)	23 – 39
Lock holder/buttons	3 lock holder (incl. cylinder ZADI)
Rain diverter	Yes
Hinge position	Bottom or side
Weight (kg)	2,3
Sales Quantity	Per pack
Available pictures	See above, LR and HR
<i>Additional information</i>	
Colour Options	1. White
Partnumber 1. (white)	2644580
EAN-code 1. (white)	8710315993028