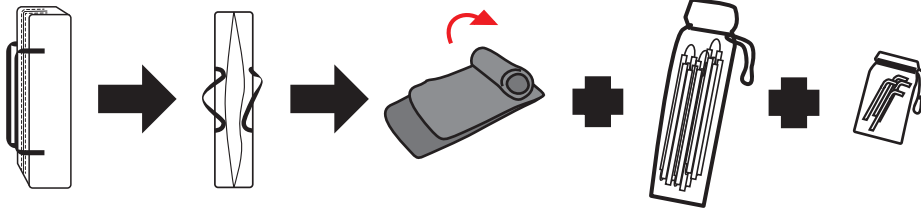
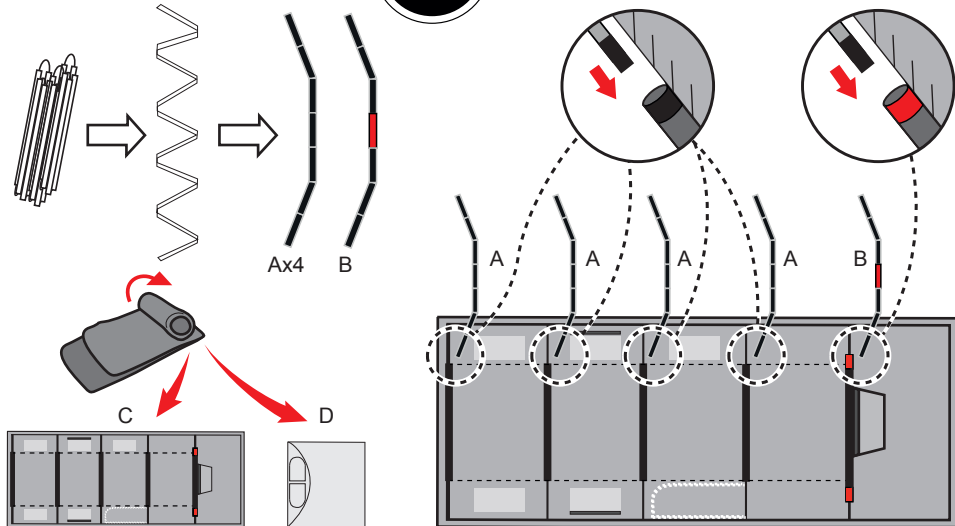


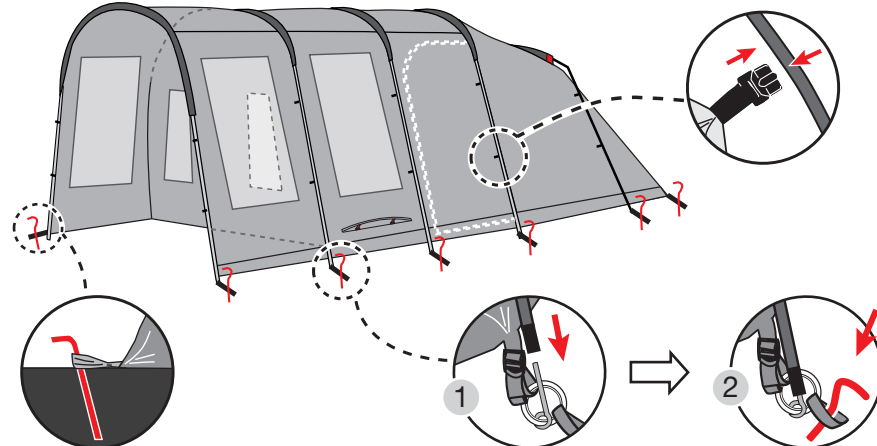
0 - CHECK LIST



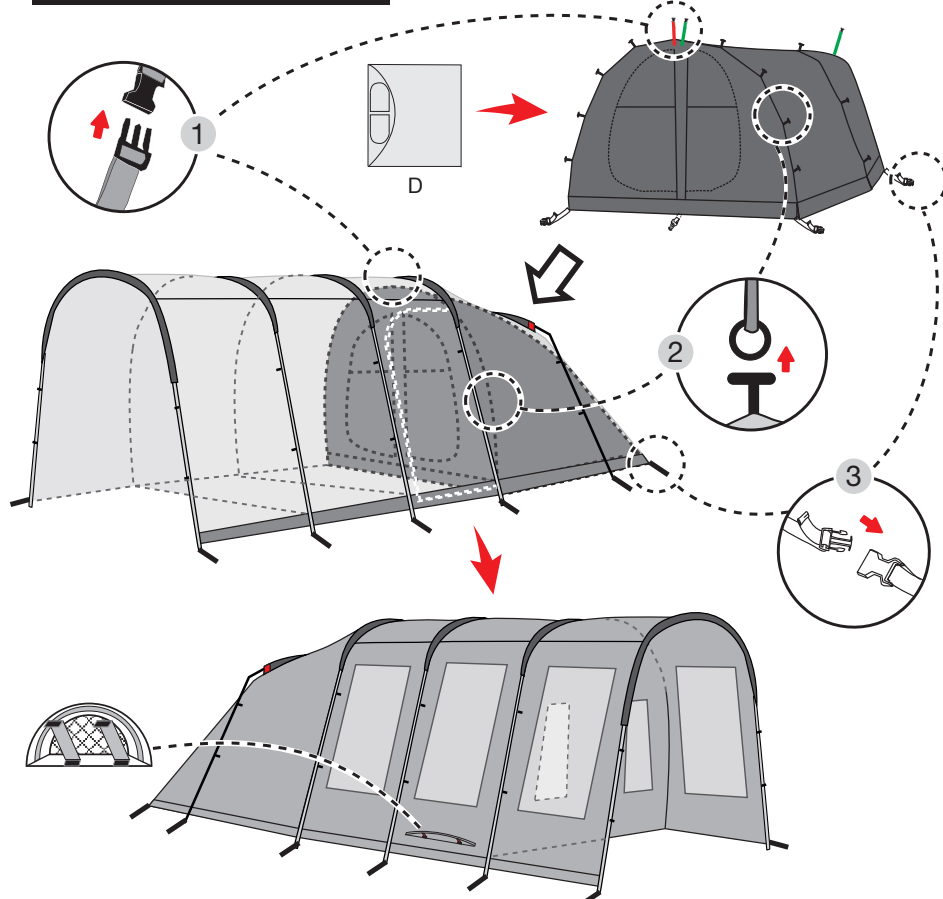
1 - SET UP



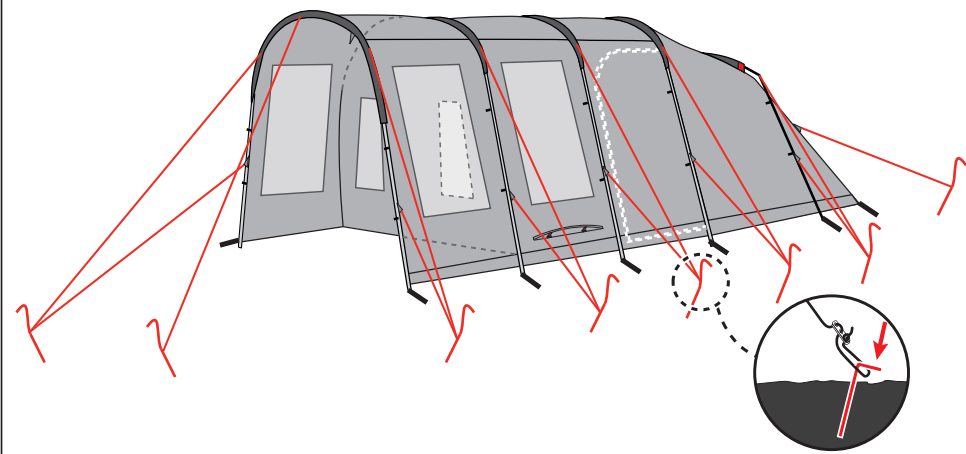
2 - SET UP



3 - SET UP

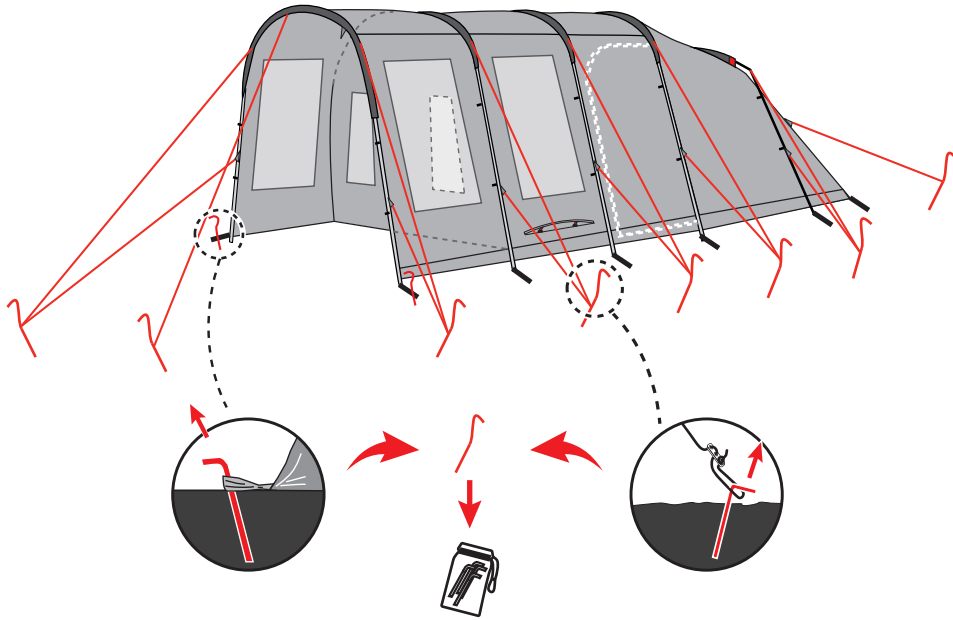


4 - SET UP

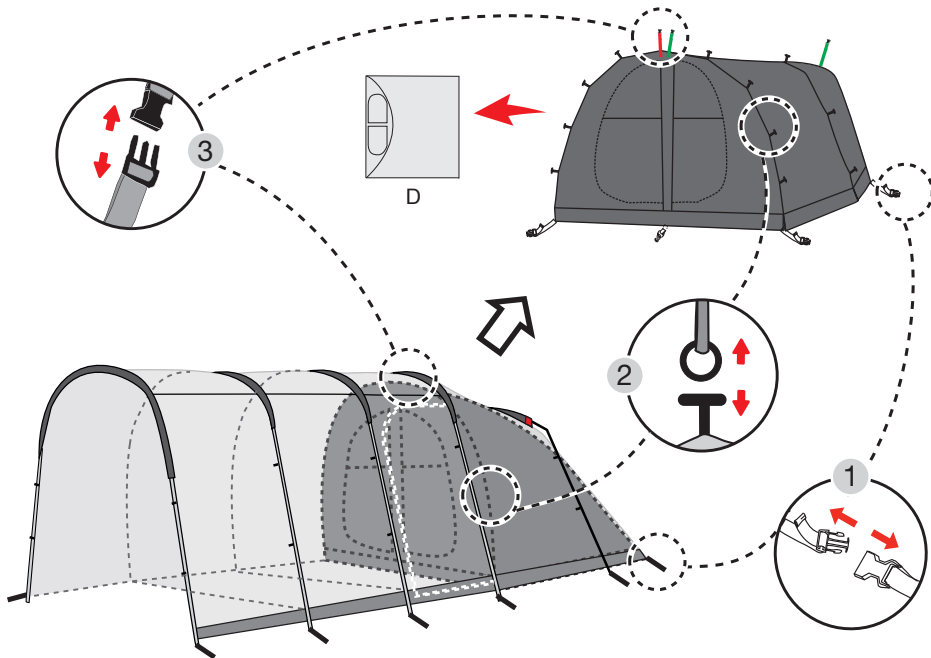


Stitch Line

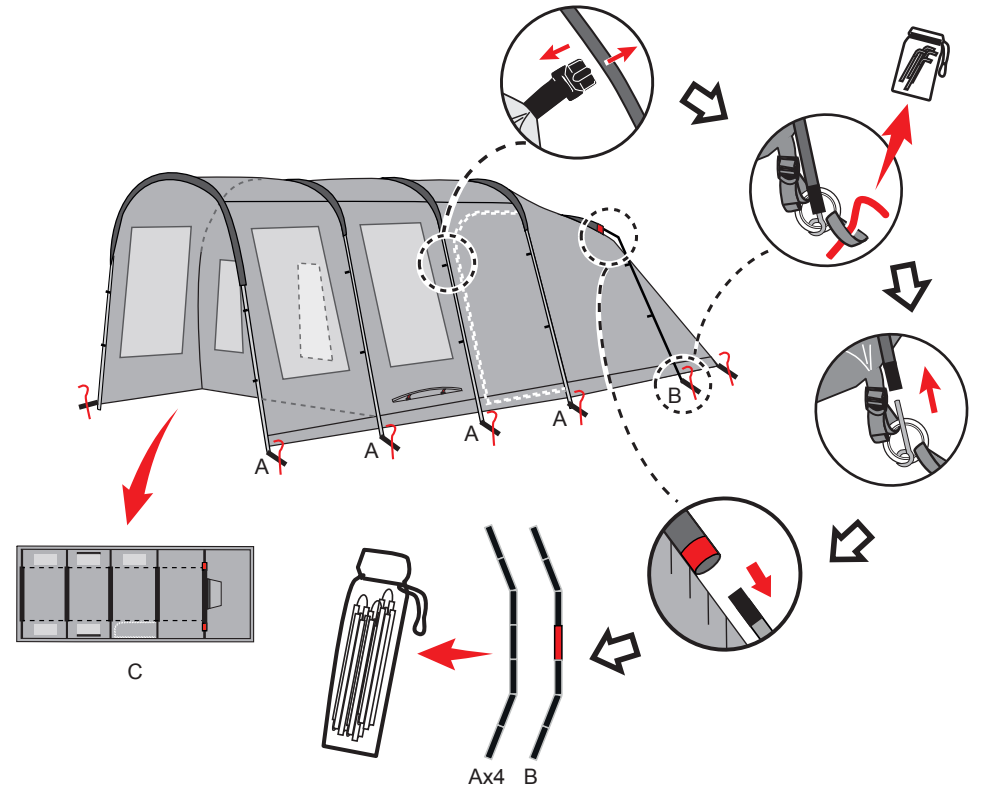
1 - SET DOWN



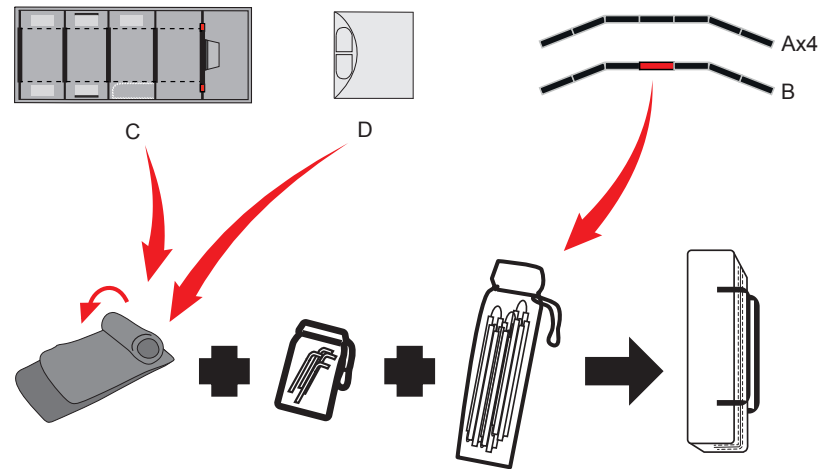
2 - SET DOWN



3 - SET DOWN



4 - SET DOWN



Stitch Line